

# DELUXE

SERVING SKATEBOARDING  
24 / 7 / 365

SPRING 2024 - DROP 2





**AS THE VIEW OF THE CITY FADES INTO THE FOG AND GROWING DARKNESS OF THE NIGHT, AN UNDERSTANDING THAT, HOPEFULLY, WE ALL GET ANOTHER DAY TO ROLL, CREATE, AND HAVE FUN WITH EACH OTHER SETTLES THE MIND AND WARMS THE HEART.**

THANKS FOR BEING THERE WITH US AND CHECKING OUT THIS MOST RECENT RELEASE.

## LOOK FOR THESE HIGHLIGHTS IN THE SPRING 24 DROP 2 OFFERING:



Look for several extra treatments in this line from **REAL**. The 'Obedience Denied' Collection features full passes of Silver Foil and Discharge Prints on a Premium Tee & Hoodie. Ishod and Harry share a 'Scratch-off' series, Mason & Nicole's Cathedral decks get the vibrant Foil treatments, and the 'Bright Side' Series brings vivid custom color split veneers.

Kyle Walker worked on a very special 'Thevi Jean-Louis' memorial Actions REALized release, with a portion of the proceeds going directly to the **Pablove Foundation** supporting pediatric cancer.



As the Asphalt dries, the streets rejoice, **VENTURE** teamed up with Star Team East Village to release an exclusive Team Edition truck, tee, and cash bag. The 'Streets' V-light Pro Truck for the man himself, John Shanahan, and the 'Paid' V-hollow with a matching tee round out the new line. Also - look for a slew of new Venture videos and content coming out.



Breana Geering is back with a 'Tormentor' Pro Conical Full F4, but fair warning, make sure the kids aren't around when you're scrolling cause severed heads are rolling. Then it's **SPITFIRE**'s newest collab with everyone's favorite corporate entity, Sci-Fi Fantasy, complete with Jerry Hsu F4s, Sapphires, and apparel made specifically for burning time.



**ANTIHERO** ...all human conceived and human-created, made by and for fellow human being skateboarders.

"NO AI EVER" is our motto because we don't need a computer to help us steal ideas!

We have a small grip of new boards...

GT and Austin one-offs...The GT 'Bandit' in 2 sizes, and for Austin, we stole his company's logo and turned it into a 'Custom' board and tee. Take that AI!



Una Farrar gets her first Pro **THUNDER** Truck with a clover nod to her Irish Heritage, and Miles Silvas mixes comedy and tragedy to get the best of both worlds on some new 'Masked' Team Hollows with newly developed dual-color Gold Vein Baseplates.



**THERE** presents a Limited collection by Sam Ryser. Sam's long history of designing for and playing in Punk bands and opening Dripper World in Bushwick, Brooklyn, has cemented his visuals in the DIY underground scene. You can see more of Sam's work here **IG: @dripperworld**. The Limited line includes decks for Marbie, Chandler, Jessyca, and Cher, as well as 2 T's, a hood, a hat, and foil stickers.



**KROOKED**'s Spring drop is here, featuring 'Embossed Eyes' boards, a new 'Anchor' shape, and new Mark Gonzales artwork for team riders. Oh, and we made a water bottle with some classic Mark art, just in case those Spring flowers need some watering :)

Captain B. Anderson, first mate Doobie, and navigator C.Pfanner set off into the 'Wild Unknown'.

Todd Francis brings meditations in contradictions with 'Desertscapes' for Raney, Daan, and JC. And GrimpleStix.... and a pencil!

P.S. - we brought back the short wheelbase team 'Mis-Reg' eagles in 3 sizes. All three on custom natural, black, and sunset orange veneers.

Enjoy the sun.

**AGAIN - THANK YOU  
HIT US FOR ANYTHING  
- DLX -**





OBEY

REAL

spring 2024 - drop 2



REAL

SKATEBOARDS  
BICYCLES  
ROLLERSKATES  
SCOOTERS

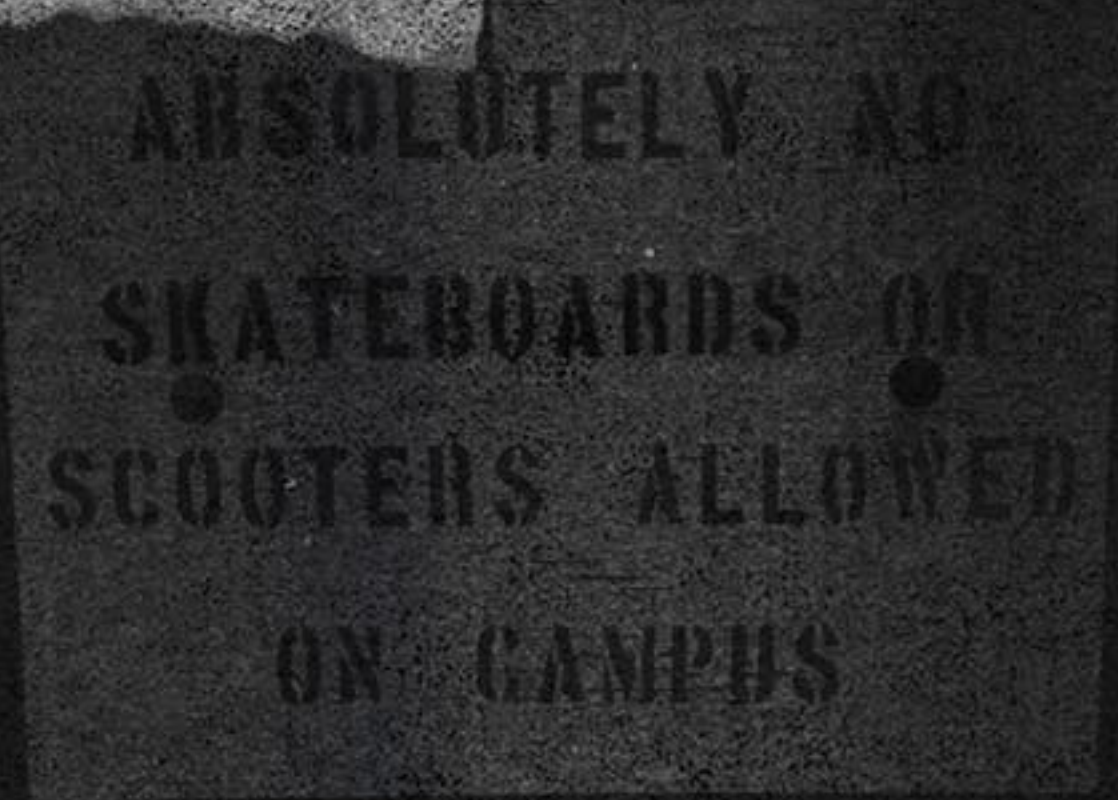


NO

skateboards  
street shoes  
bicycles

ALLOWED

L.A.M.C. 63,44 B7 L.A.M.C. 63,44 B7



ABSOLUTELY NO

SKATEBOARDS OR  
SCOOTERS ALLOWED

ON CAMPUS



# obedience denied

## TEAM SERIES



**BLACK**  
 8.25" x 32" - 14.38"WB  
 8.75" x 32.62" - 14.62"WB



**PEARLESCENT WHITE**  
 8.5" x 31.85" - 14.25"WB

**\*FULL PASS OF SILVER FOIL UNDER GRAPHIC**

For this collection of decks and apparel we revisited one of our past favorites by DLX Artist Lou Barberio, adding a full pass of silver foil to the decks and using white discharge printing on the hoodie and a premium garment dyed tee for an elevated look and feel all around.



**S/S GARMENT DYED TEE - Pepper w/ White Discharge Print**



**HOODED SWEATSHIRT - Black w/ White Discharge Print**



# 'bright side'

PRO SERIES

ishod  
wair

zion  
wright

jimmy  
wilkins



8.38" x 31.75" - 14"WB  
TRUE FIT MOLD

\*MAROON AND BLACK  
SPLIT BOTTOM VENEERS

8.5" x 32.18" - 14.38"WB

\*PURPLE AND ORANGE  
SPLIT BOTTOM VENEERS

8.62" x 32.56" - 14.75"WB

\*BLUE AND GREEN  
SPLIT BOTTOM VENEERS

Whether you're stopping to smell the roses or aiming for  
the moon.. always look on the bright side.

Wilkins



# 'revealing'

PRO SERIES

ishod  
wair

harry  
lintell



Ishod  
REAL



Lintell  
REAL



Lintell  
REAL



8.06" x 31.8" - 14.38"WB  
8.5" x 31.35" - 13.75"WB

TRUE FIT MOLD

8.28" x 31.7" - 14.12"WB

**\*SCRATCH OFF INK**

Two graphics for the price of one ;) Using foil scratch-off ink. Scratching up your board has never been funner... or funnier... we just don't suggest sniffing though...



HOLOGRAPHIC FOIL  
**cathedrals**

nicole  
hause

mason  
silva



8.38" x 32.25" - 14.5"WB

\*HOLOGRAPHIC  
RAINBOW FOIL

8.25" x 31.5" - 13.88"WB

TRUE FIT MOLD  
\*HOLOGRAPHIC  
GOLD FOIL

Holographic versions of the Cathedral graphics for Nicole and Mason. Rainbow for Nicole and Gold for Mason. Put these suckers in the light and they look incredible from every angle!



# kyle walker

## 'THEVI' - ACTIONS REALIZED

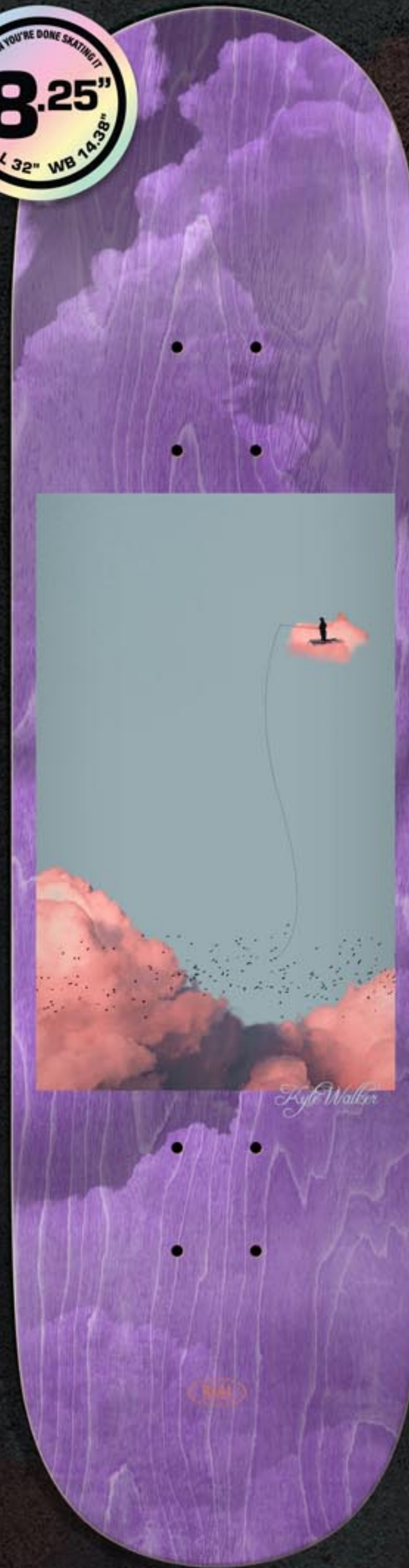


**Thevi Jean-Louis** was a multi-media artist and skateboarder from Leimert Park in Los Angeles. In 2020, at the age of 19, **Thevi** was diagnosed with cancer, acute myeloid leukemia.

**Thevi's** dream of shooting photos of some of his favorite skaters, including **Kyle Walker**, came true last year and his story reached many in the skateboard world.

**Thevi** fought his cancer with complete positivity, always uplifting those around him, staying creative, and never taking moments for granted.

**Kyle** and **Thevi** remained close after meeting, and to honor **Thevi's** passing **Kyle** worked with **Thevi's** family to create this **Actions REALized** deck, using **Thevi's** artwork, with a portion of the proceeds going directly to the **Pablove** Foundation.



I'm grateful for

family  
the sun for shining  
this moment  
you  
each breath  
friends I haven't met yet  
landing this trick  
each flower  
learning a new awesome fact

**Thevi Jean-Louis**



8.25" x 32" - 14.38"WB

\*CUSTOM LIGHT PURPLE  
BOTTOM VENEER



# team classic ovals



7.5" x 29" - 12.75"WB **TRUE MID** • 7.75" x 29.5" - 13"WB **TRUE MID** •  
8.06" x 31.8" - 14.38"WB • 8.12" x 31.38" - 14"WB • 8.25" x 32" - 14.38"WB •  
8.38" x 32.25" - 14.5"WB • 8.5" x 31.85" - 14.25"WB

## oval stickers

SM - 4" & MD - 7.25"





# ANTI HERO

SPRING '24 DROP 2

DAAN



HAND TOSSED EARTH?  
GET THE FACTS!

@www.HTE.HVH?

Abbigliamento



SKATEBOARDING IS WHERE ITS AT



# 'DESERTSCAPES' PRO SERIES - ART BY TODD F.



**CARDIEL**  
8.62" x 32.25"  
14.5"WB



**BERES**  
9.0" x 33.25"  
15.02"WB

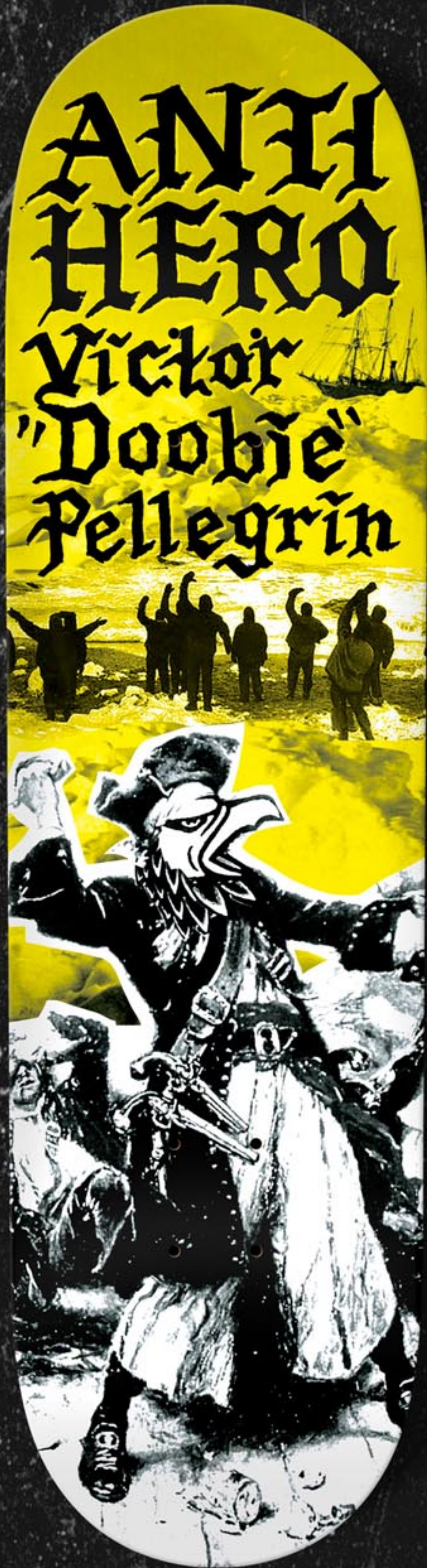


**VAN DER LINDEN**  
8.38" x 32.25"  
14.5"WB



# 'WILD UNKNOWN' (PART 2)

PRO SERIES



**DOOBIE**  
8.75" x 32.5"  
14.62"WB



**B.A.**  
8.5" x 31.85"  
14.25"WB



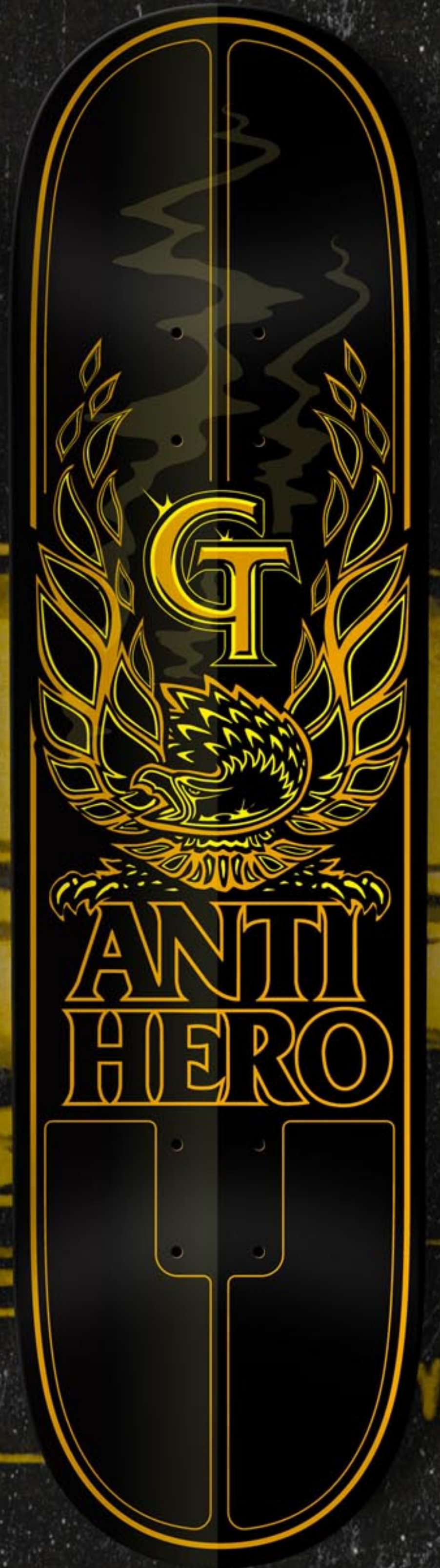
**PFANNER**  
8.25" x 32"  
14.38"WB



# GRANT 'G.T. BANDIT' TAYLOR



9.3" x 33"  
15"WB  
(PIGMAT SHAPE)



8.5" x 32.18"  
14.38"WB



# GRIMPLESTIX 'JUMP THE SHARK' MINI SERIES



**HEWITT**  
8.38" x 31.75"  
14"WB  
'DLX TRUE FIT'



**GERWER**  
8.5" x 31.85"  
14.25"WB





# AUSTIN KANFOUSH 'CUSTOM' <sup>ONE OFF</sup>

8.55" x 31.62" / 14.12"WB (YINZER SHAPE)



## MIS-REGISTERED EAGLES RETURN

SHORT WHEELBASE TEAM SERIES ON ASSORTED (ORANGE/NATURAL/BLACK) VENEERS



8.25" x 31.5" / 14"WB - DARK GREEN LINEWORK



8.5" x 31.75" / 14"WB - RAW SIENNA LINEWORK



8.75" x 31.75" / 14.25"WB - DARK BROWN LINEWORK



# CLOTHING

## / ACCESSORIES

CARPENTER PENCIL



'CUSTOM' TEE  
SAFETY ORANGE  
POCKET TEE



MISREGISTER EAGLE  
BLACK HOOD



MISREGISTER EAGLE  
HEATHER TEE



# CLASSIC EAGLES



8.06 X 31.8  
14.38WB



8.25 X 32  
14.38WB



8.38 X 32.25  
14.5WB



8.5 X 31.85  
14.25WB



8.75 X 32.62  
14.62WB



9.0 X 33.25  
15.02WB



# KROOKED



TOM  
KNOX

SPRING 24 DROP 2



**YOUR GOOD  
TEE**



**GONZ** YOUR GOOD  
NEW ANCHOR SHAPE  
9.02 x 32.2 - 14.34WB



# TEAM INCOGNITO

EMBOSSED

WE GOT EYES ON THE BACK OF OUR  
BOARDS. ALL-NEW EYES EMBOSSED  
BOTTOM BOARDS IN 3 SIZES.



8.25x32 - 14.38WB  
NO YELLOW BOTTOM VENEERS



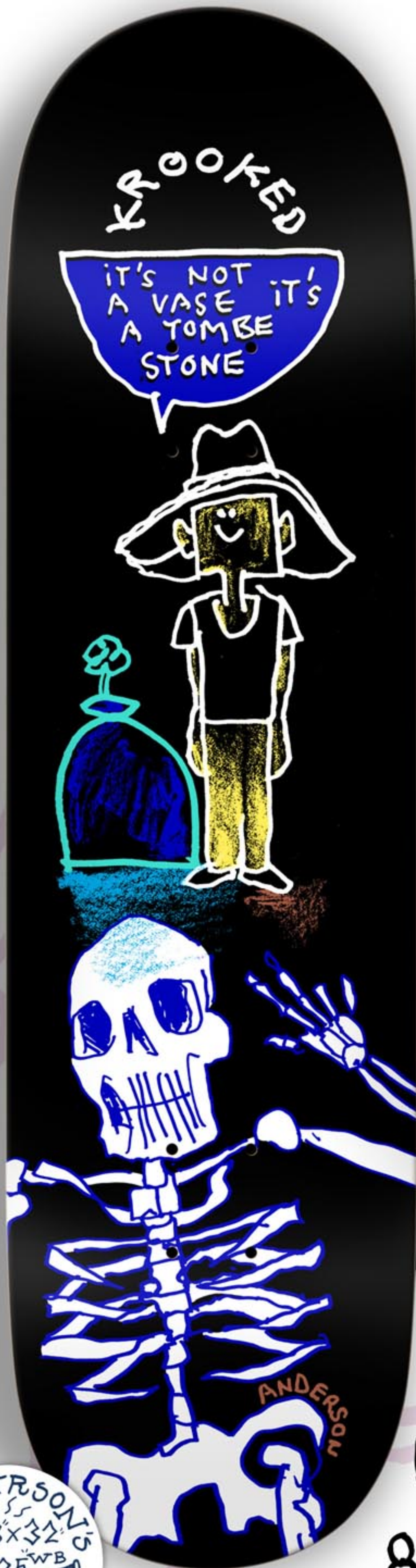
8.38x32.25 - 14.5WB  
NO ORANGE BOTTOM VENEERS  
DREAMER SHAPE



9.25x31.85 - 14.25WB/14.75WB



# KRANIUM TEE



## MANDERSON TOMBE STONE CUSTOM MANDERSON SHAPE

8.38x32 - 14.25 WB

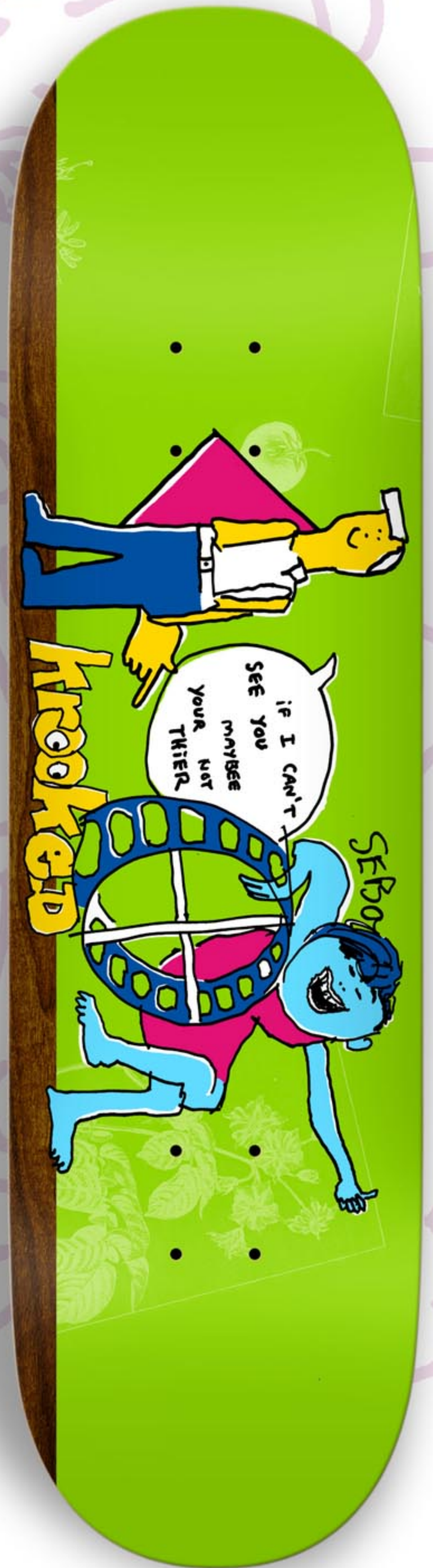






**KNOX** ON THE STREET  
NAVY TO TEAL DIAGONAL FADE BOTTOM

8.25x32-14.38 WB 8.5x32.18-14.38 WB



**SEBO** NOT THEIR  
DARK BOTTOM VENEERS ONLY

8.5x31.85-14.25 WB



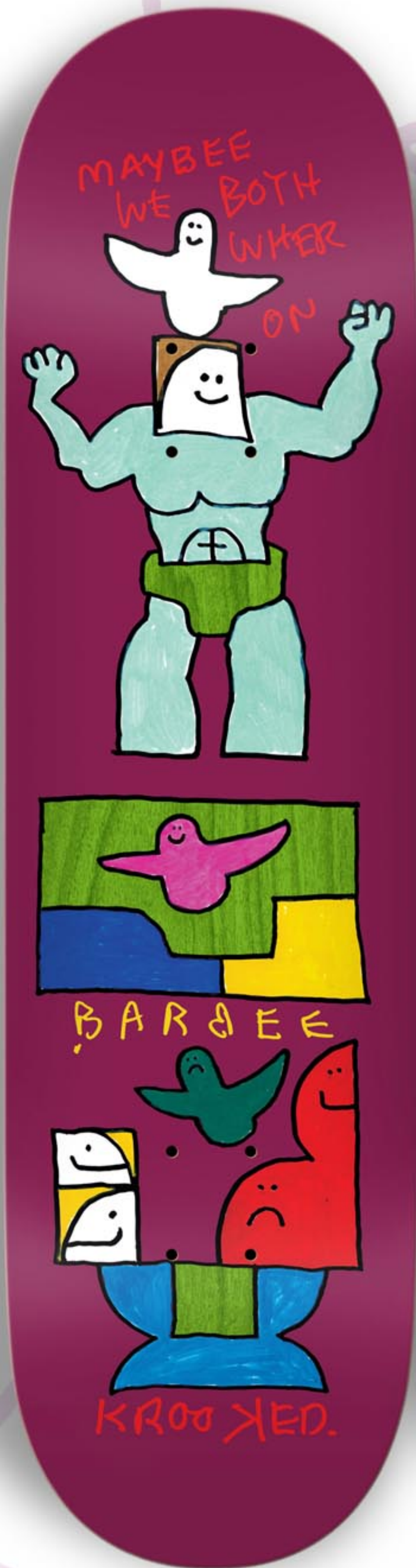
# ATTITUDE HOODIE



# SANDOVAL ATTITUDE

9.81 x 32.06 - 14.37 WB

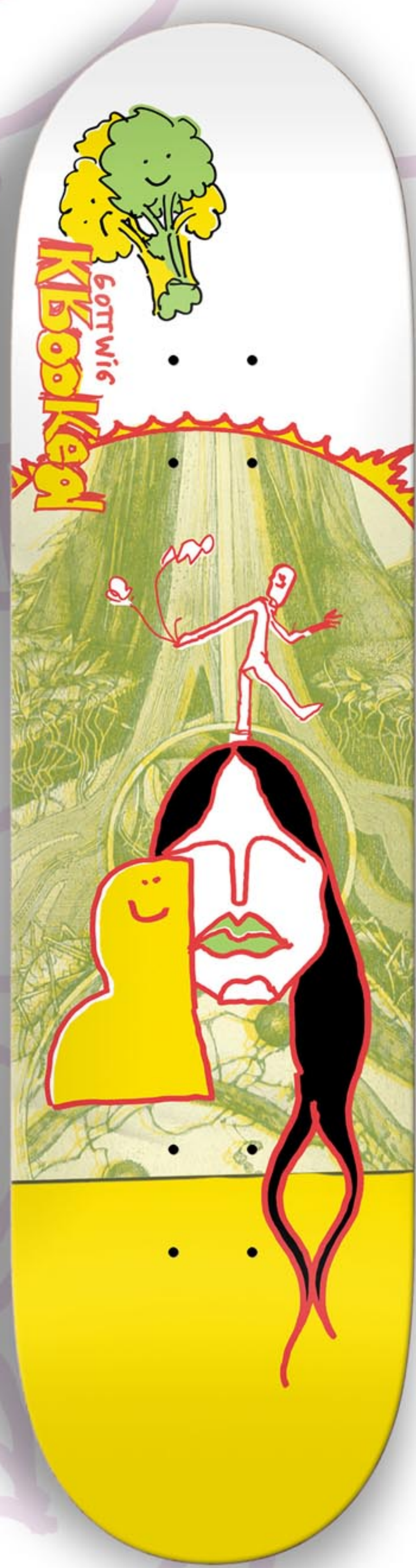




**BARBEE** WE  
8.75x32.5 - 14.62WB



**UNA** DEBATE  
8.25x31.5 - 13.88WB **DLX**  
8.38x32.25 - 14.5WB DREAMER SHAPE



**GOTTWIG** TRAILS  
8.25x32 - 14.38WB





**CROMER** REDACTED  
8.06 x 31.8 - 14.38WB



**CERNICKY** POPPED DREAMER SHAPE  
8.38 x 32.25 - 14.5WB



**EYES  
DIECUT  
STICKERS**



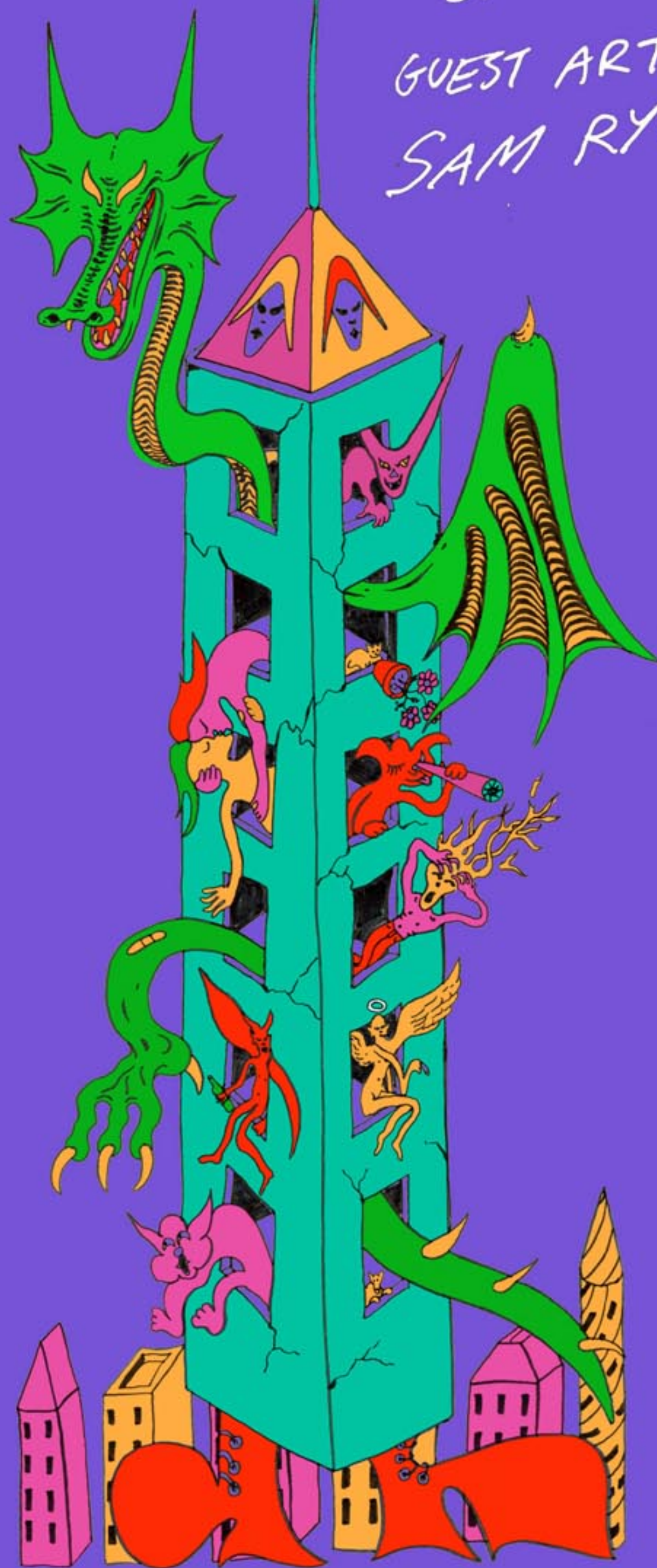
**SWEATPANTS  
WATER BOTTLE**







SPRING 2024 # 2  
GUEST ARTIST  
SAM RYSER!







"DREAM"  
 MARBIE PRO  
 8.5 x 32 WB 14 (MARBIE SHAPE)  
 YELLOW BOTTOM STAIN  
 7 COLOR SCREENPRINT!



"TOWER"  
 JESSYKA BAILEY PRO  
 8.06 x 31.3 WB 13.88 (TRUE FIT MOLD!)  
 LIME STAIN BOTTOMS  
 7 COLOR SCREENPRINT!





"RIDE"  
 CHER STRAUBERRY PRO  
 8.25 x 31.5 WB 13.88 (TRUE FIT MOLD!)  
 PASTEL GREEN STAIN  
 CUSTOM SAM RYSER TOP GRAPHIC  
 7 COLOR SCREENPRINT!



"WIZARD"  
 CHANDLER BURTON PRO  
 8.5 x 31.85 WB 14.25 (AN EAGLE SHAPE)  
 BLACK STAIN BOTTOMS  
 7 COLOR SCREENPRINT!







"MIDNIGHT OIL" HOOD  
RASBERRY & BLUE PRINT  
ON FRONT & SLEEVES



"CANDYLAND" TEE



"SLEEPWALK" TEE





"SLUMBERLAND" = HAT  
EMBROIDERY FRONT & BACK



"SIDEWALK" HOLO STICKER



"HEADS" HOLO STICKER





THANKS





"WET" (GOLD)  
8.75 x 32.5 x 14.62  
GOLD ON PINK



"WET" (BLACK)  
8.25 x 32 x 14.38  
BLACK ON PINK

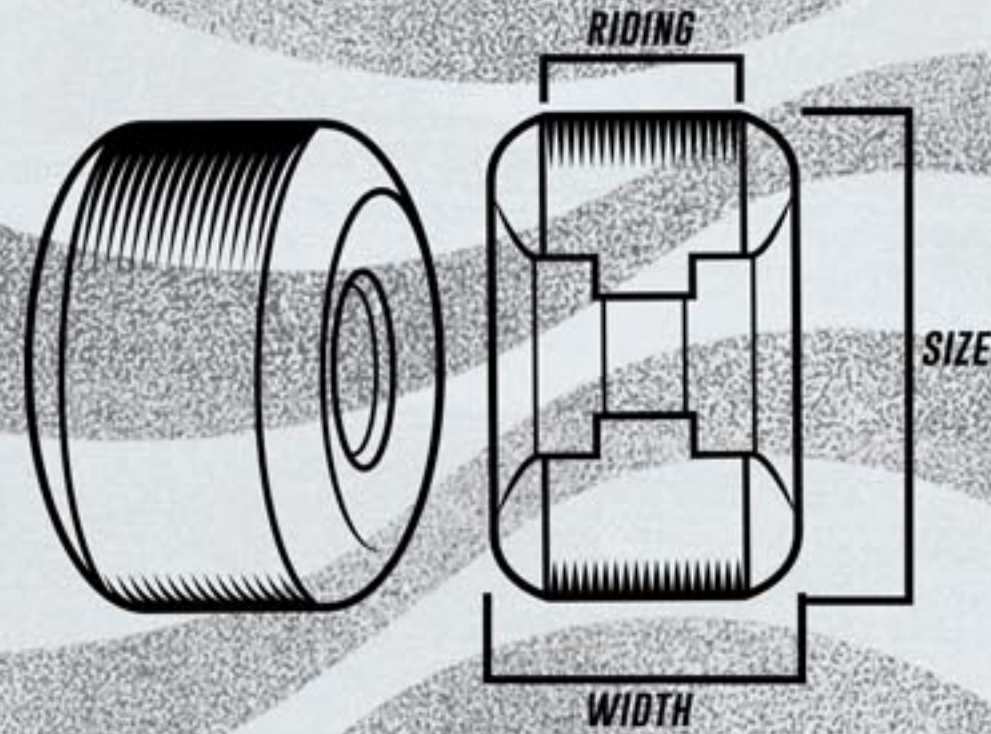




SPITFIRE  
SPRING 2024  
DROP 2



# BREANA GEERING TORMENTOR PRO FORMULA FOUR

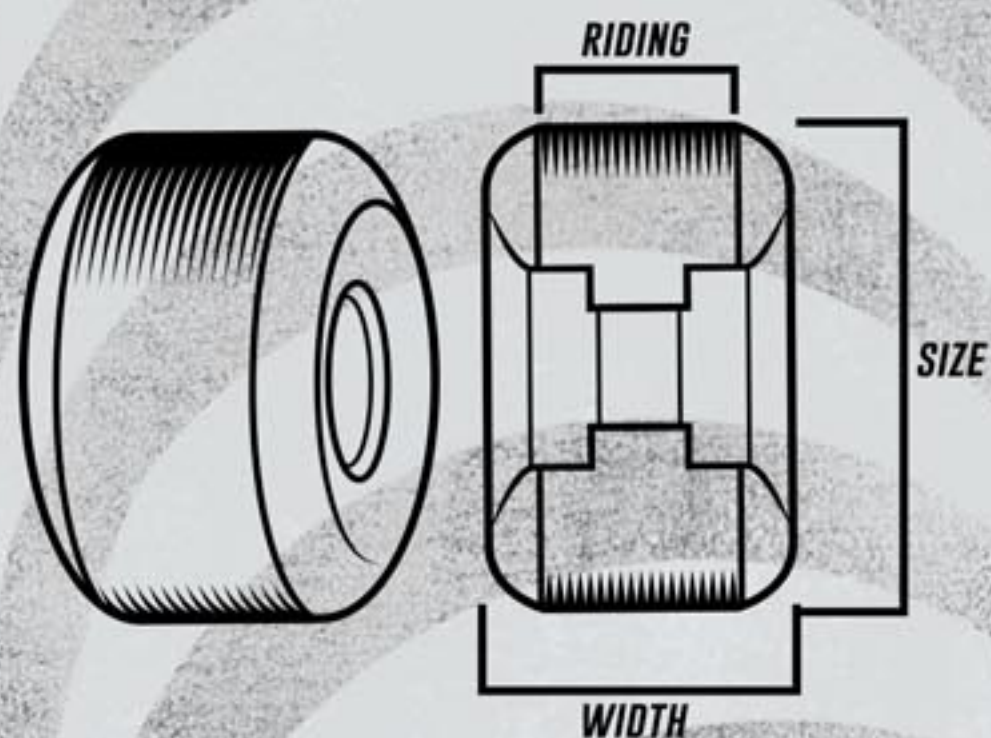


**Conical Full**

**FORMULA FOUR**

99 DURO - CONICAL FULL SHAPE - BLACK/RED SWIRL - 53MM

SIZE	WIDTH	RIDING
53	33.5	21.5



**Conical Full**

**FORMULA FOUR**

99 DURO - CONICAL FULL SHAPE - NATURAL - 56MM

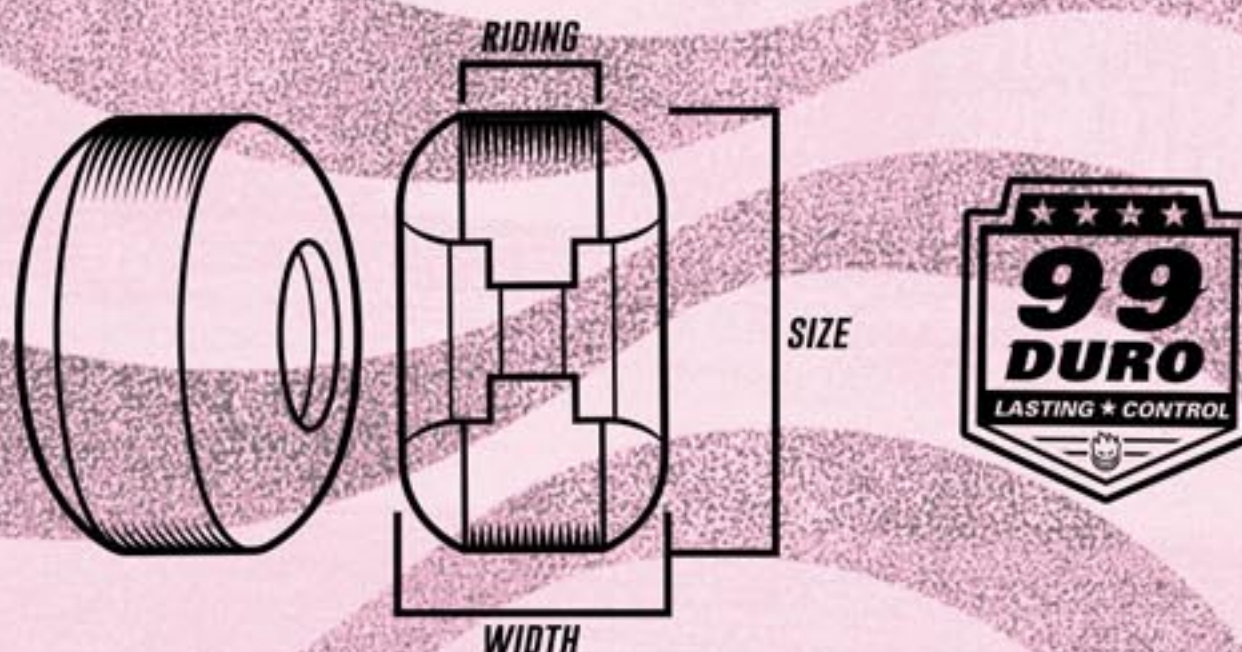
SIZE	WIDTH	RIDING
56	36	25







# SCI-FI FANTASY FORMULA FOUR

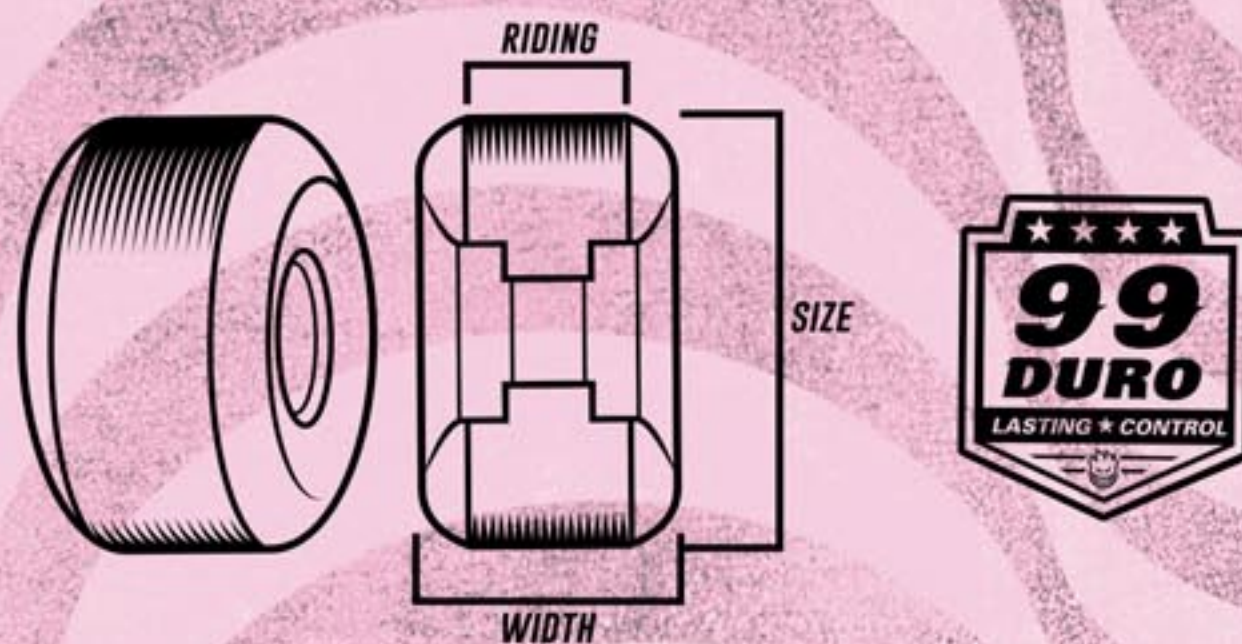


## JERRY HSU

*Classic* **FORMULA FOUR**

99 DURO - CLASSIC SHAPE - NATURAL - 52MM

SIZE	WIDTH	RIDING
52	32	15.6



## DYSON

*Conical* **FORMULA FOUR**

99 DURO - CONICAL SHAPE - BLACK - 54MM

SIZE	WIDTH	RIDING
54	32.1	20.1

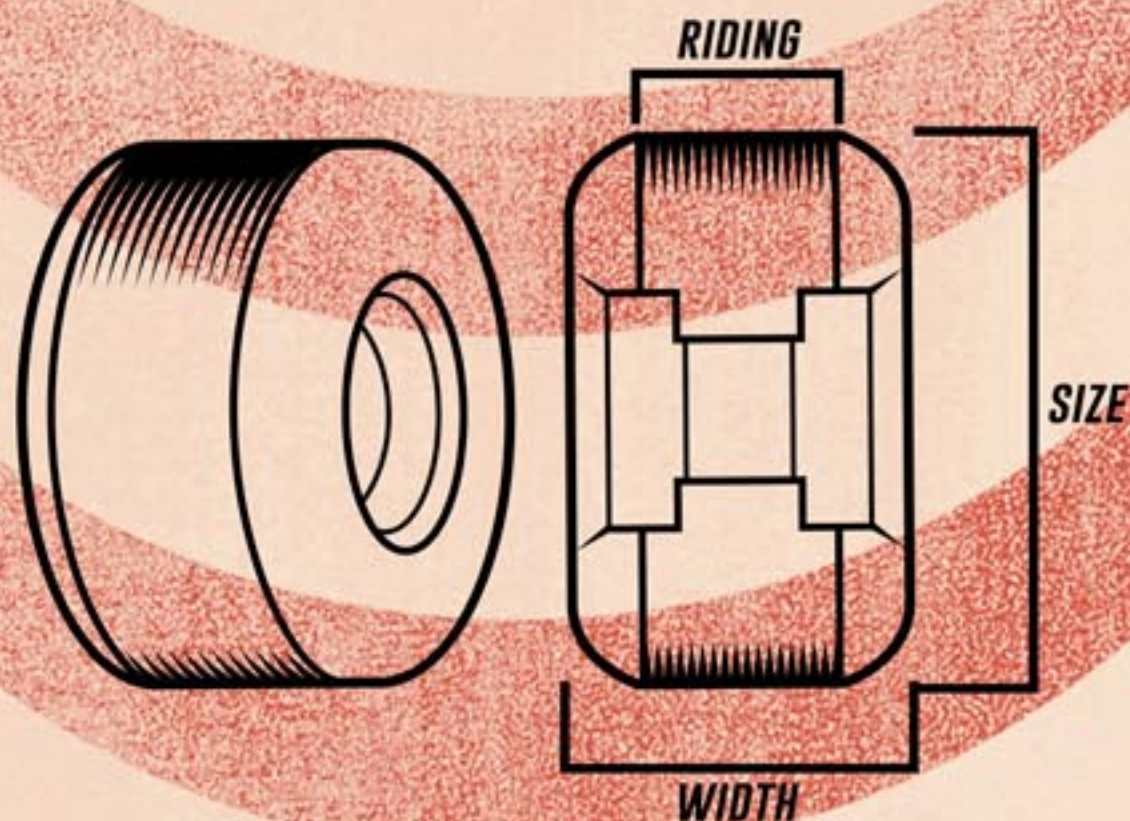


# SCI-FI SAPPHIRES SOFT 90 DURO CRUISERS



## ◆ SOFT 90 DURO CRUISERS ◆

SOFT AND FAST 90 DURO CLEAR RIDING SURFACE BONDED TO 101 DURO FORMULA FOUR INNER CORE.



## SAPPHIRES *RADIALS*

90 DURO - RADIAL SHAPE - RED CORE - CLEAR OUTER - 58MM



SIZE	WIDTH	RIDING
58	38	25



# SCI-FI FANTASY APPAREL & ACCESSORIES



**BURNING TIME**  
S/S TEE - PINK - SM-2XL



**BURNING TIME**  
S/S TEE - WHITE - SM-2XL



**BURNING TIME STICKER**  
MEDIUM



# SCI-FI FANTASY APPAREL & HEADWEAR



FRONT

BACK

**SILENCE HOOD**  
HOODIE - BLACK - SM-2XL



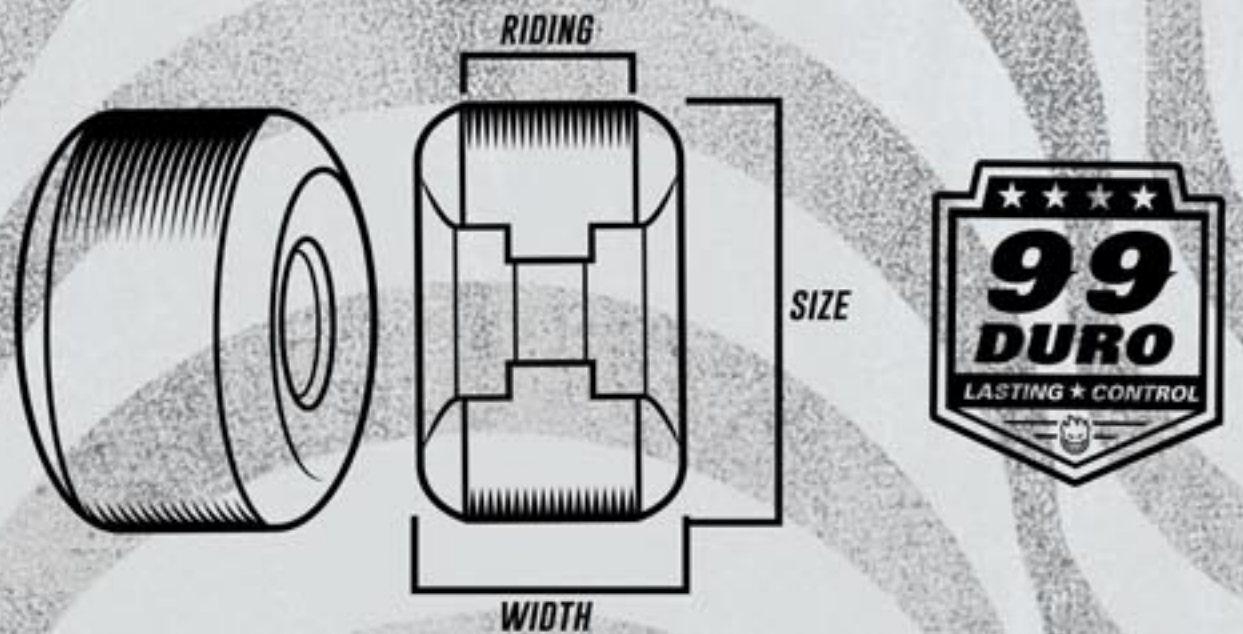
**CLASSIC SNAPBACK HAT**  
UNSTRUCTURED - 6 PANEL HAT - BLACK W/ WHITE EMBROIDERED LOGO



# OG CLASSICS *FORMULA FOUR*



**SPITFIRE'S ORIGINAL CUT-AWAY SHAPE. FEATURES A WIDER RIDING SURFACE, LIGHTENED WITH CUT-AWAY SIDEWALLS.**



**O.G. CLASSICS *FORMULA FOUR***

**99 DURO - OG CLASSIC SHAPE**

**PINK - 52MM    GREEN - 53MM**

**BLUE - 54MM    BLACK - 56MM**

SIZE	WIDTH	RIDING
52	31.1	21.4
53	31.7	21.8
54	32.3	22.2
56	33.6	23.1



# SUPERWIDES

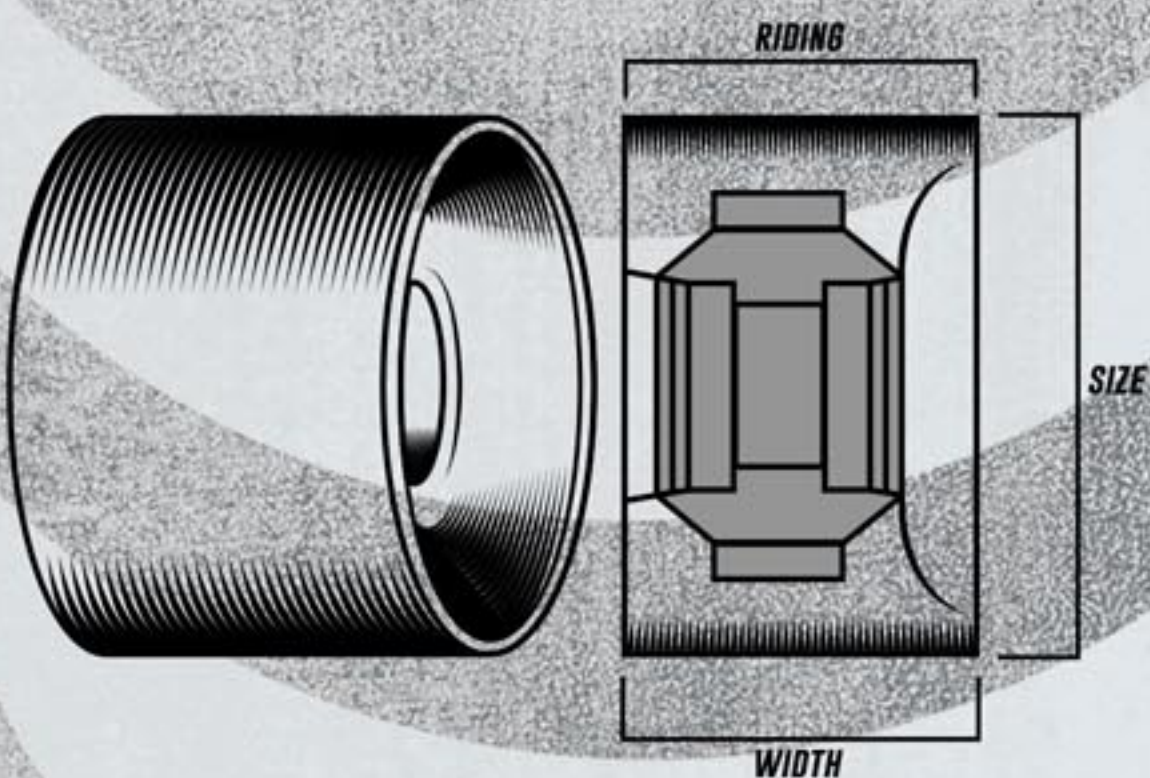
NEW SHAPE 80HD



**NEW  
SHAPE**

**80HD URETHANE - SMOOTH - SOFT - LASTING SPEED**

**FAST, SOFT AND RESPONSIVE 80 DURO URETHANE ON THE NEW 'SUPERWIDES' SHAPE. EXTRA-WIDE RIDING SURFACE BONDED TO A LIGHTWEIGHT, INJECTION MOLDED INNER CORE FOR TRUE BEARING SEATING AND SMOOTHER, MORE CONSISTENT SPEED EVERYWHERE.**



## SUPERWIDES 80HD

**80HD - SUPERWIDES SHAPE**

**ORANGE - 58MM, ICE GREY - 60MM, BLACK - 62MM**



SIZE	WIDTH	RIDING
58	44.5	44.5
60	45.5	45.5
62	46.5	46.5



SPITFIRE WHEELS

# FORMULA FOUR Classics



THE #1 WHEEL SHAPE IN SKATEBOARDING.  
MEDIUM WIDTH RIDING SURFACE WITH ROUND SIDEWALLS.  
DESIGNED FOR CONTROL IN ALL SITUATIONS.



## F4/99DU CLASSIC SHAPE

NATURAL - 52MM, 53MM,  
54MM, 55MM, 56MM,  
58MM, 60MM



SPITFIRE WHEELS

# FORMULA FOUR Classics



THE #1 WHEEL SHAPE IN SKATEBOARDING.  
MEDIUM WIDTH RIDING SURFACE WITH ROUND SIDEWALLS.  
DESIGNED FOR CONTROL IN ALL SITUATIONS.



F4/101DU  
CLASSIC SHAPE  
NATURAL - 53MM, 54MM, 56MM



# SPITFIRE WHEELS FORMULA FOUR

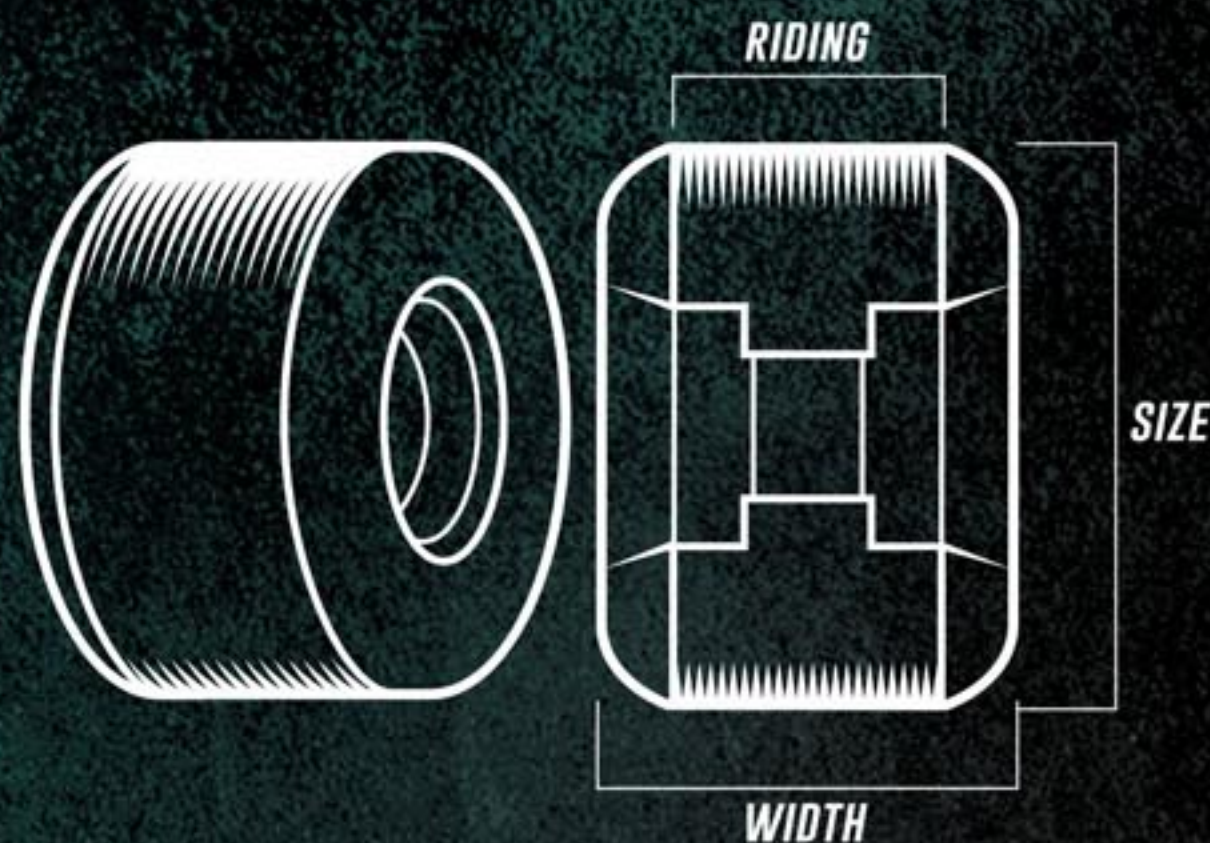


FORMULATED FOR A SOFTER, FASTER RIDE. UNMATCHED FLATSPOT RESISTANCE. DESIGNED FOR EVERY SPOT. GRIPS OR SLIDES WHERE YOU NEED IT. 100% TRUE PERFORMANCE URETHANE.



*Classic* F4/97DU CLASSIC SHAPE  
NATURAL - 53MM, 54MM, 56MM

THE #1 WHEEL SHAPE IN SKATEBOARDING.  
MEDIUM WIDTH RIDING SURFACE WITH ROUND SIDEWALLS.  
DESIGNED FOR CONTROL IN ALL SITUATIONS.



*RADIAL Full* F4/97DU RADIAL FULL SHAPE  
NATURAL - 54MM, 56MM, 58MM

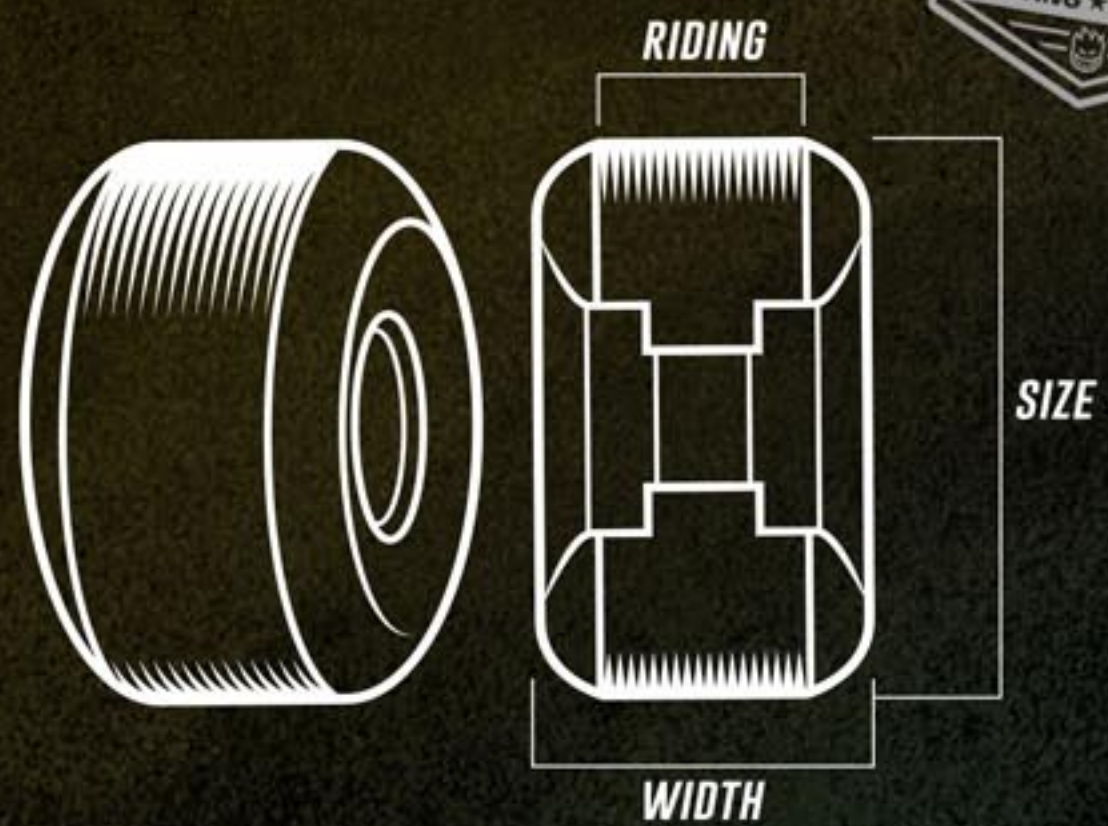
A SUPER WIDE RIDING SURFACE WITH ROUND EDGES FOR STABILITY AND VERSATILITY.



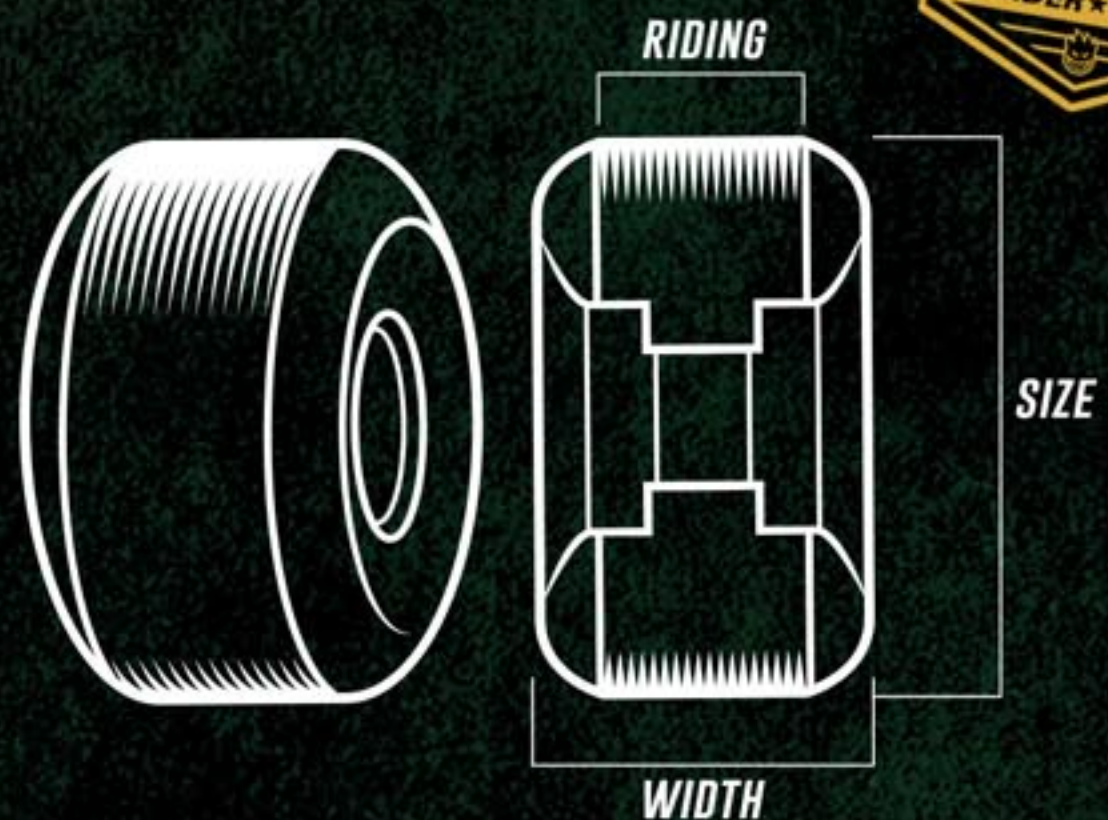
**SPITFIRE WHEELS**

# FORMULA FOUR Conical

FULL RIDING SURFACE WITHOUT THE WEIGHT. SYMMETRICAL, CUT IN  
SIDEWALLS FOR SPEED, CONTROL, AND SLIDE WHEN YOU NEED IT.



**F4/99DU CONICAL SHAPE**  
NATURAL - 54MM, 56MM



**F4/101DU CONICAL SHAPE**  
NATURAL - 54MM, 56MM

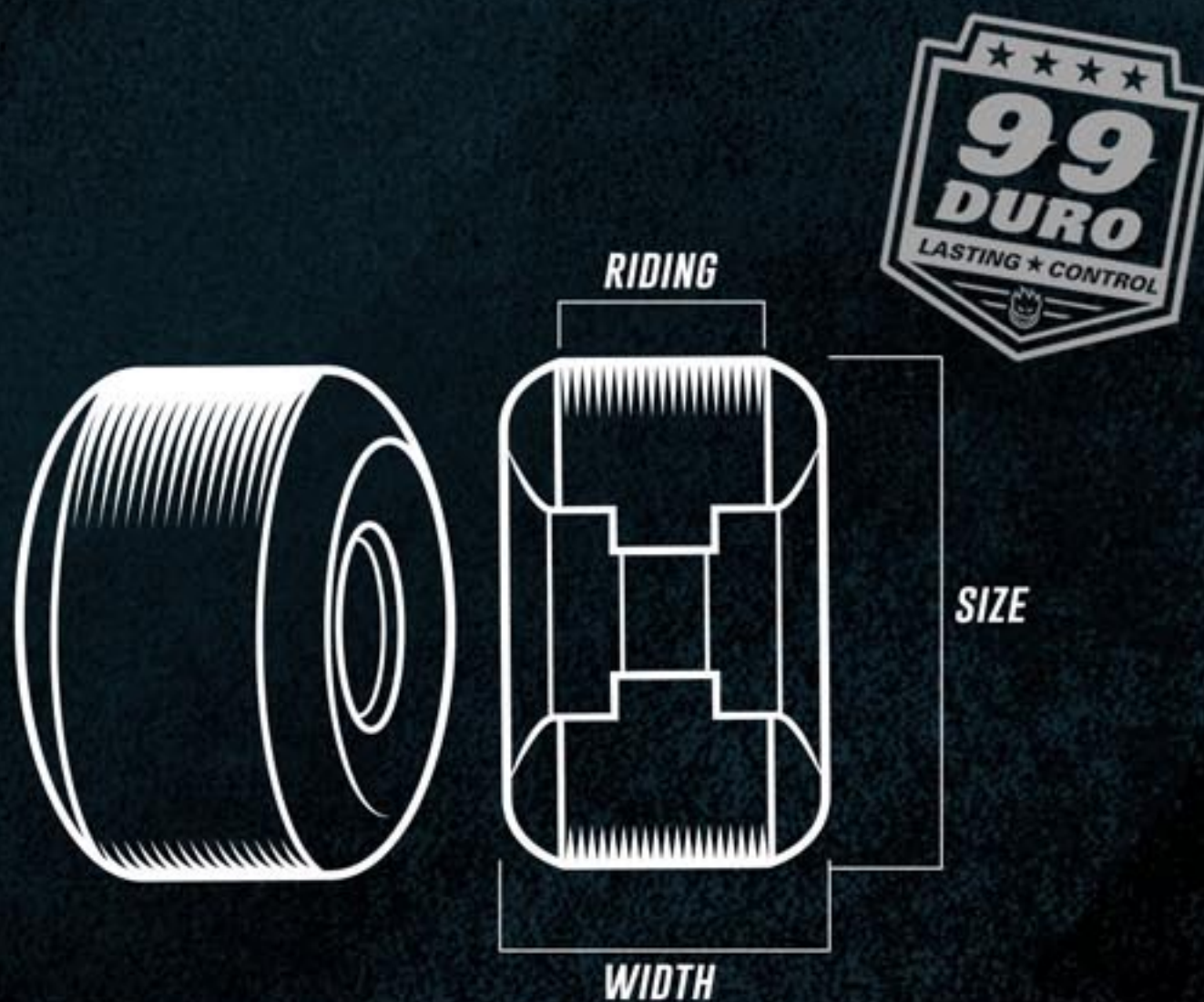


**SPITFIRE WHEELS**

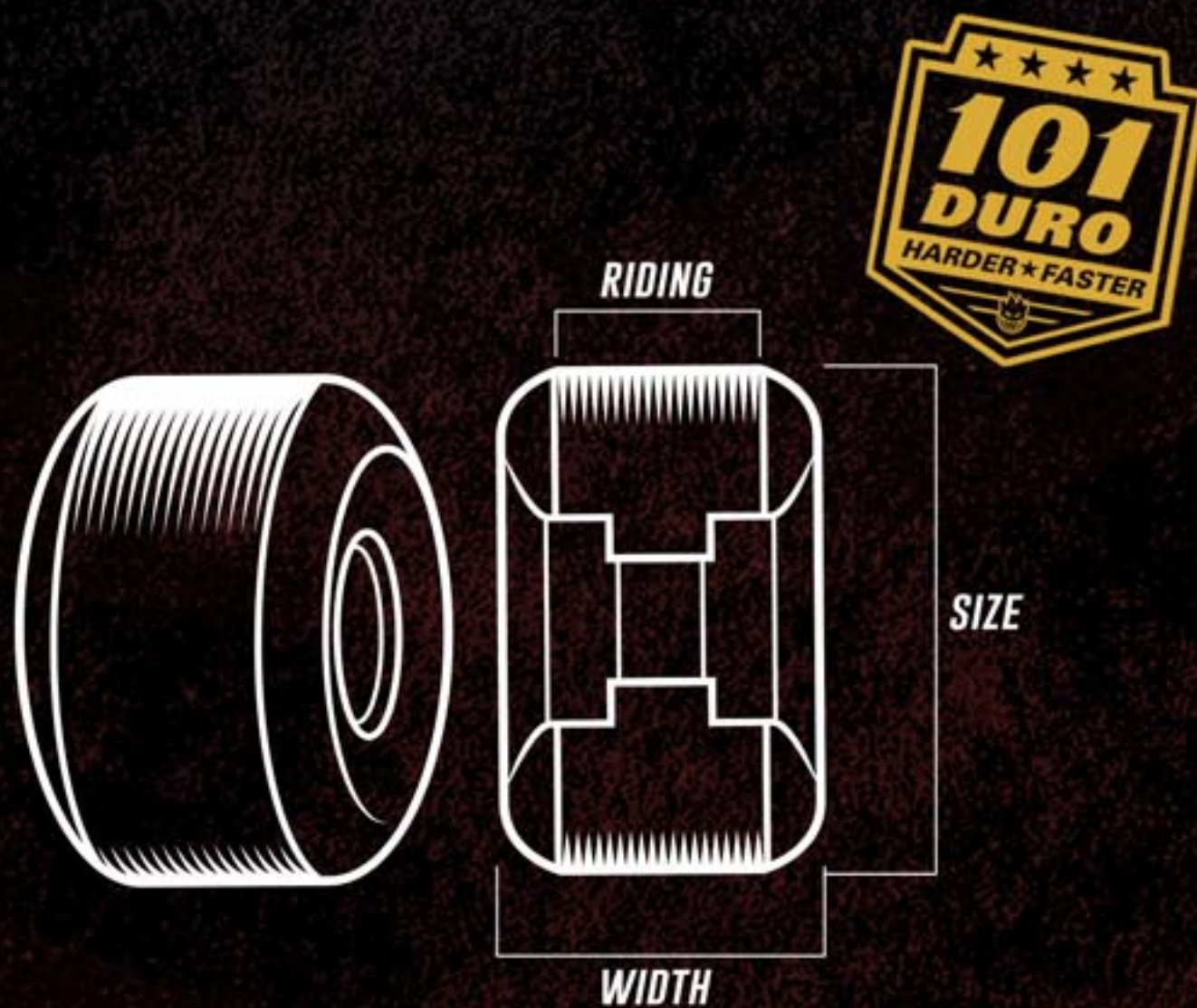
# FORMULA FOUR

A WIDER VERSION OF THE CONICAL SHAPE.  
WIDE RIDING SURFACE, CUT IN SIDEWALLS TO DECREASE WEIGHT.  
A SOLID, CONTROLLABLE SHAPE FOR ALL TERRAINS.

## Conical Full



**F4/99DU CONICAL FULL SHAPE**  
NATURAL - 52MM, 53MM, 54MM, 56MM, 58MM



**F4/101DU CONICAL FULL SHAPE**  
NATURAL - 54MM, 56MM, 58MM

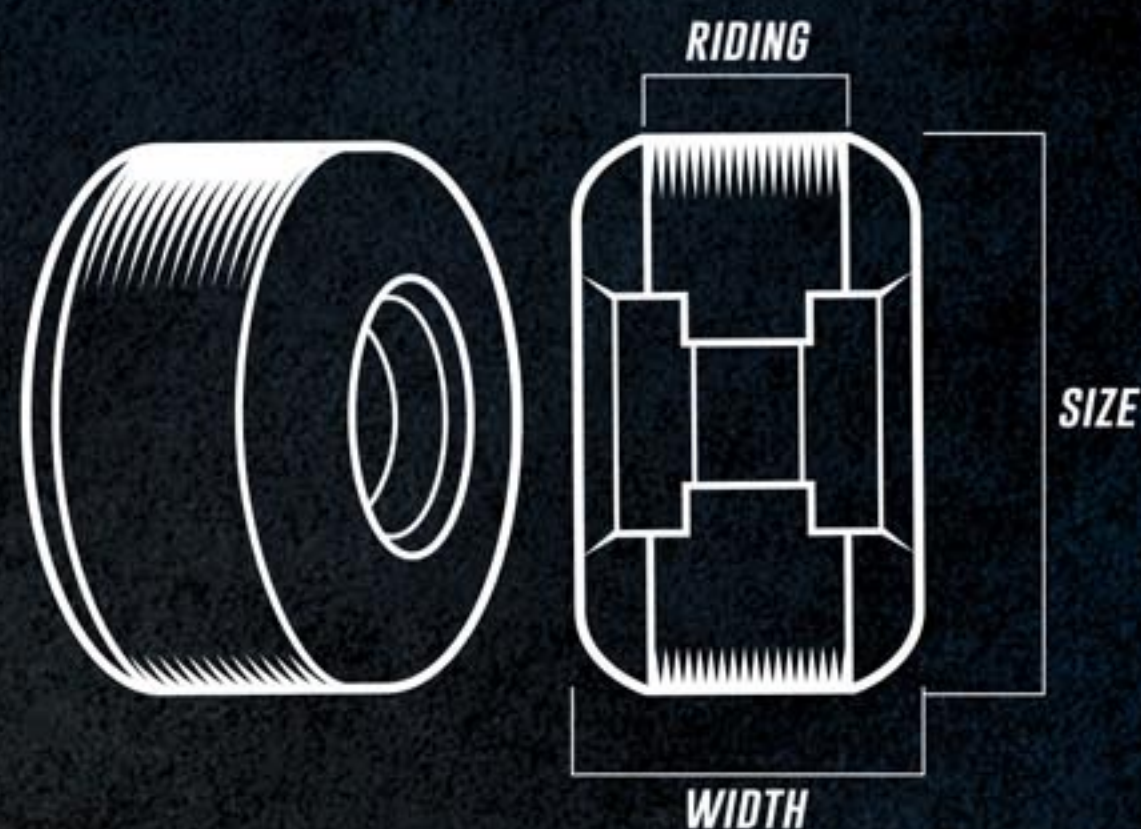


**SPITFIRE WHEELS**

# **FORMULA FOUR RADIALS**



A ROUND EDGE, MEDIUM WIDTH RIDING SURFACE SHAPE OFFERS THE VERSATILITY OF THE CLASSIC SHAPE AND THE WIDTH OF A CONICAL.

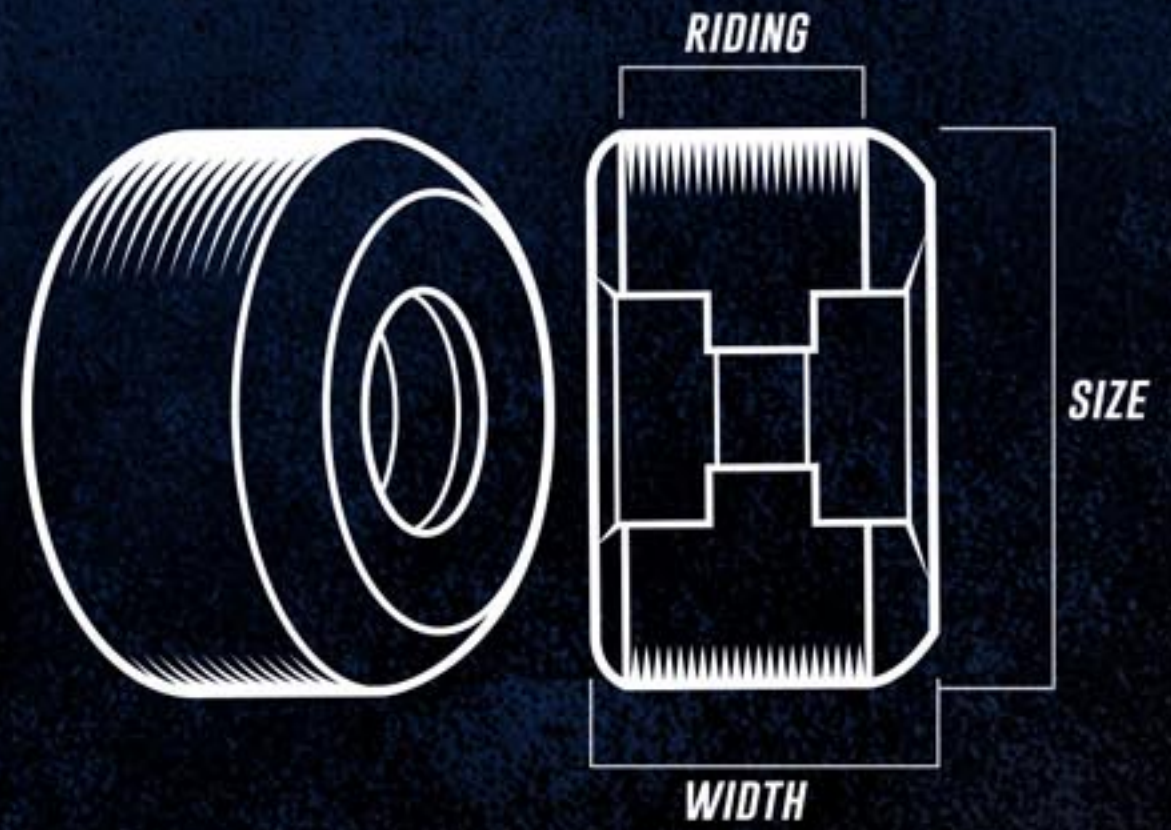


**F4/99DU**  
**RADIAL SHAPE**  
NATURAL - 53MM, 54MM, 56MM



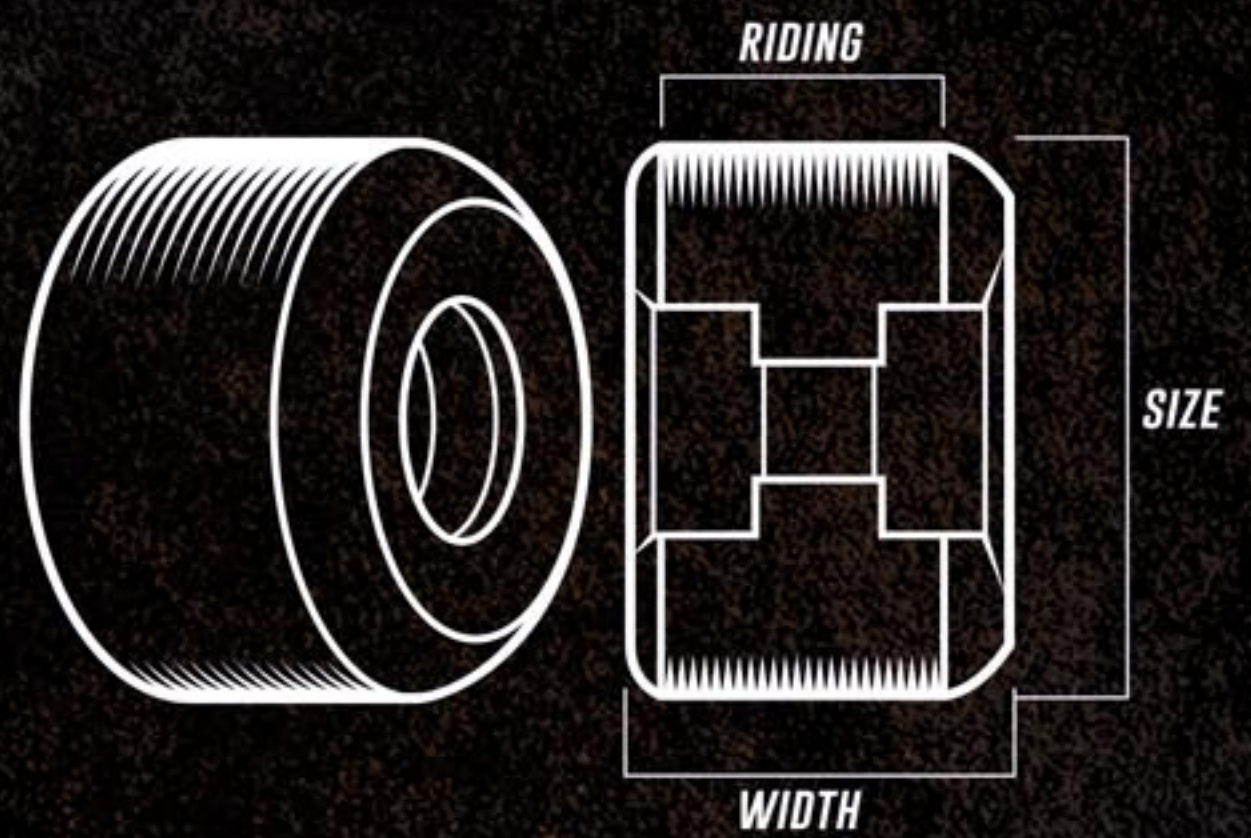
SPITFIRE WHEELS

# FORMULA FOUR LOCK-INS



**LOCK-INS F4/99DU LOCK-INS SHAPE  
NATURAL - 53MM, 55MM**

ASYMMETRICAL DESIGN WITH CONICAL CUT OUTSIDE FOR LESS WEIGHT.  
STRAIGHT EDGE 'LOCK-IN' INSIDE FOR CONTROL ON ALL TERRAINS.



**LOCK-IN FULL F4/99DU LOCK-IN FULL SHAPE  
NATURAL - 54MM, 55MM, 57MM**

A WIDER VERSION OF THE LOCK-IN SHAPE.  
ASYMMETRICAL DESIGN WITH CONICAL CUT OUTSIDE FOR LESS WEIGHT.  
STRAIGHT EDGE 'LOCK-IN' INSIDE FOR CONTROL ON ALL TERRAINS.



**SPITEIRE WHEELS**  
*Classics*

THE #1 WHEEL SHAPE IN SKATEBOARDING WORLDWIDE.  
100% TRUE PERFORMANCE URETHANE. PROVEN FOR SPEED AND CONTROL



**CLASSIC 99DU**  
**CLASSIC SHAPE**  
WHITE - 52MM, 54MM, 56MM



**SPITFIRE WHEELS**  
**CLASSIC**  
**BIGHEAD**  
**EDITION**

A TRUE 99 DUROMETER WHEEL WITH A SLIGHTLY WIDER PROFILE AND RIDING SURFACE THAN SPITFIRE CLASSICS. CLASSIC 99DU URETHANE.



**CLASSIC 99DU**  
**BIGHEAD SHAPE**

**WHITE - 52MM, 53MM, 54MM, 57MM**



**SPITFIRE**

# SAPPHIRES



## ◆ SOFT 90 DURO CRUISERS ◆

SOFT AND FAST 90 DURO CLEAR RIDING SURFACE BONDED  
TO 101 DURO FORMULA FOUR INNER CORE.

FOUR SIZES / FOUR INNER CORE COLORS

◆ 53MM GREEN ◆ 54MM ORANGE ◆ 56MM BLUE ◆ 58MM PURPLE

RADIAL SHAPE

SOFT, SMOOTH SPEED GUARANTEED.



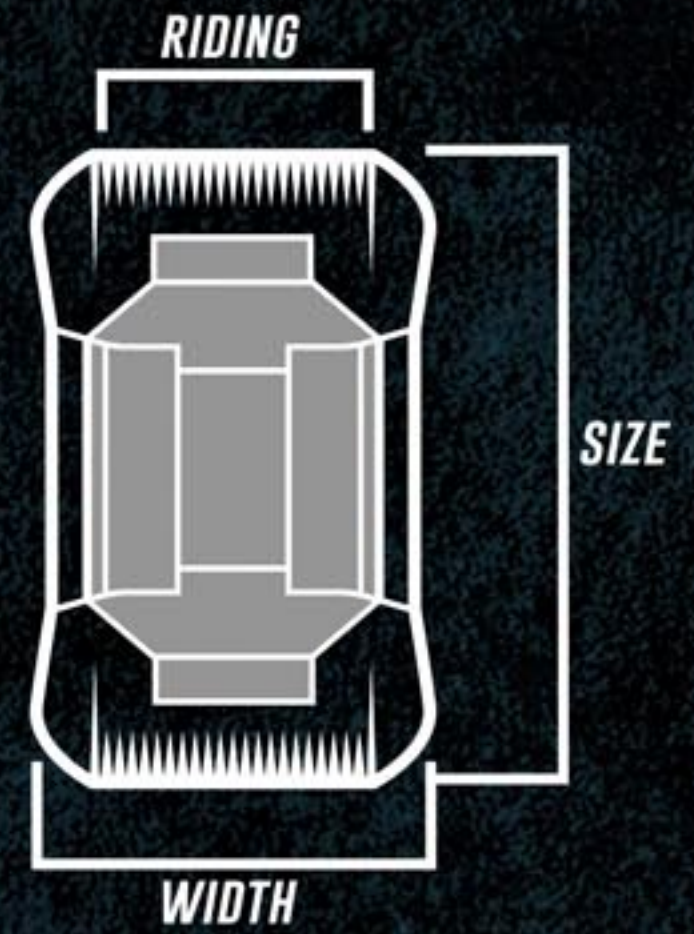
# SPITFIRE 80HD

SMOOTH • SOFT • LASTING SPEED

REFORMULATED 80 DURO PERFORMANCE URETHANE, MECHANICALLY BONDED TO A LIGHTWEIGHT, INJECTION-MOLDED INNER CORE FOR TRUE BEARING SEATING, AND SMOOTHER, MORE CONSISTENT SPEED WHEREVER YOU NEED IT.



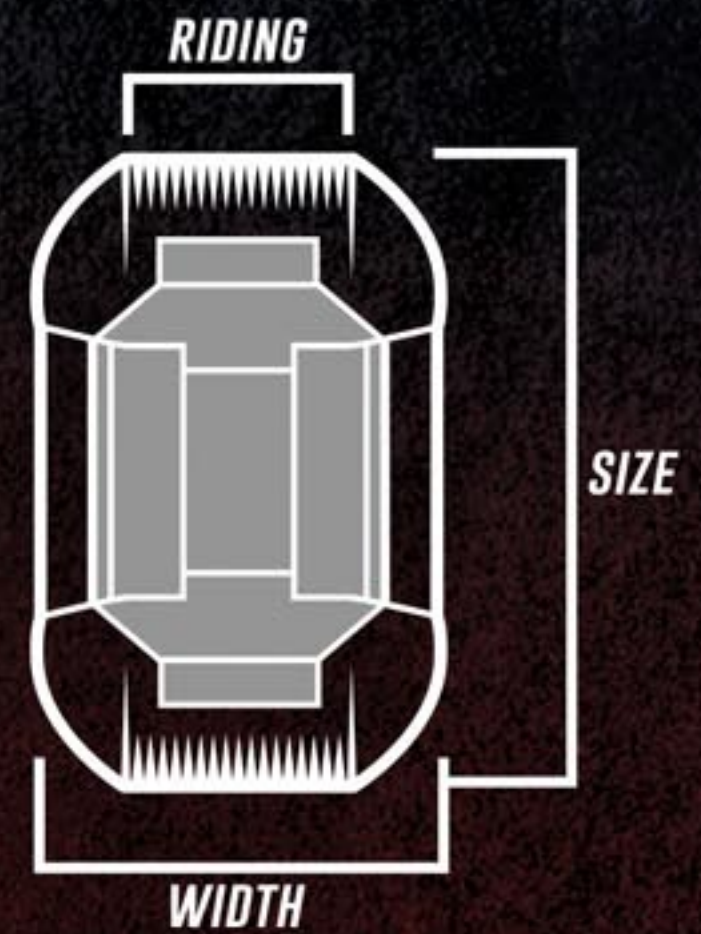
*Conical Full*



80DU CONICAL FULL SHAPE  
CLEAR - 54, 56, 58MM



*Classic Full*



80DU CLASSIC FULL SHAPE  
CLEAR - 54, 56, 58MM



# SPITFIRE

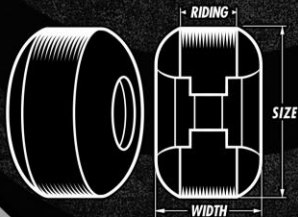


## BURNERS

- ◆ NEW HIGH-QUALITY ENTRY LEVEL WHEELS FROM SPITFIRE. ◆
- ◆ DEVELOPED FOR SKATERS WHO WANT A GREAT FIRST RIDE. ◆



51 ◆ 52 ◆ 53 ◆ 54 ◆ 55 ◆ 56



SIZE	WIDTH	RIDING
51	32.5	16
52	33	16.5
53	33.5	17
54	34.5	17.5
55	34.8	17.8
56	35	18

- ◆ **BIGHEAD SHAPE**
- ◆ **BURNERS FORMULA URETHANE**
- ◆ **99 DURO**







# SPITFIRE STICKERS



CLASSIC MINITYPE  
SILVER FOIL - 55MM



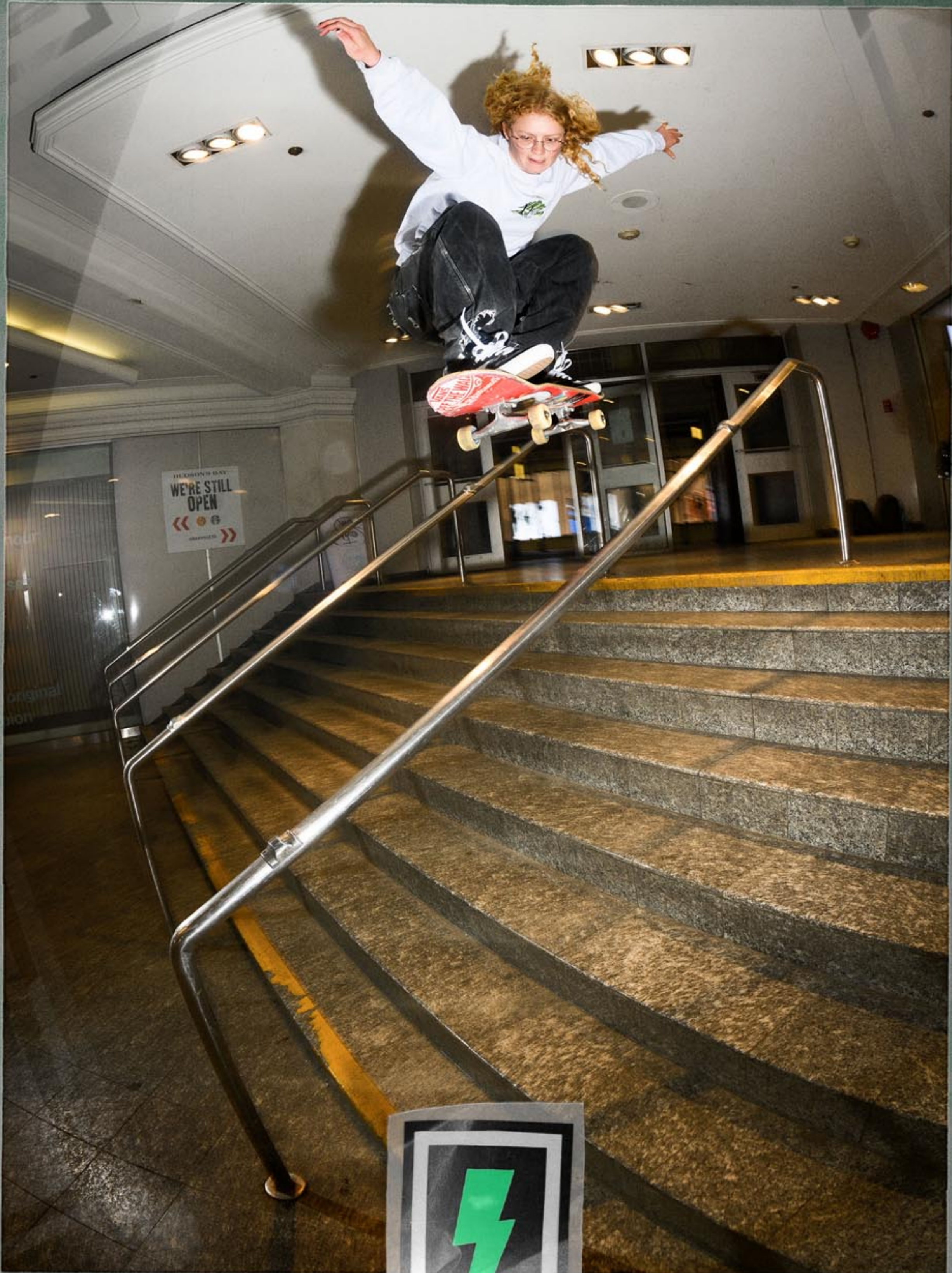
CLASSIC MINITYPE  
GOLD FOIL - 55MM



SPITFIRE FIREBALL  
ASSORTED COLORS - SIZE MINI - XL



UNA FARRAR



**THUNDER  
TRUCKS**

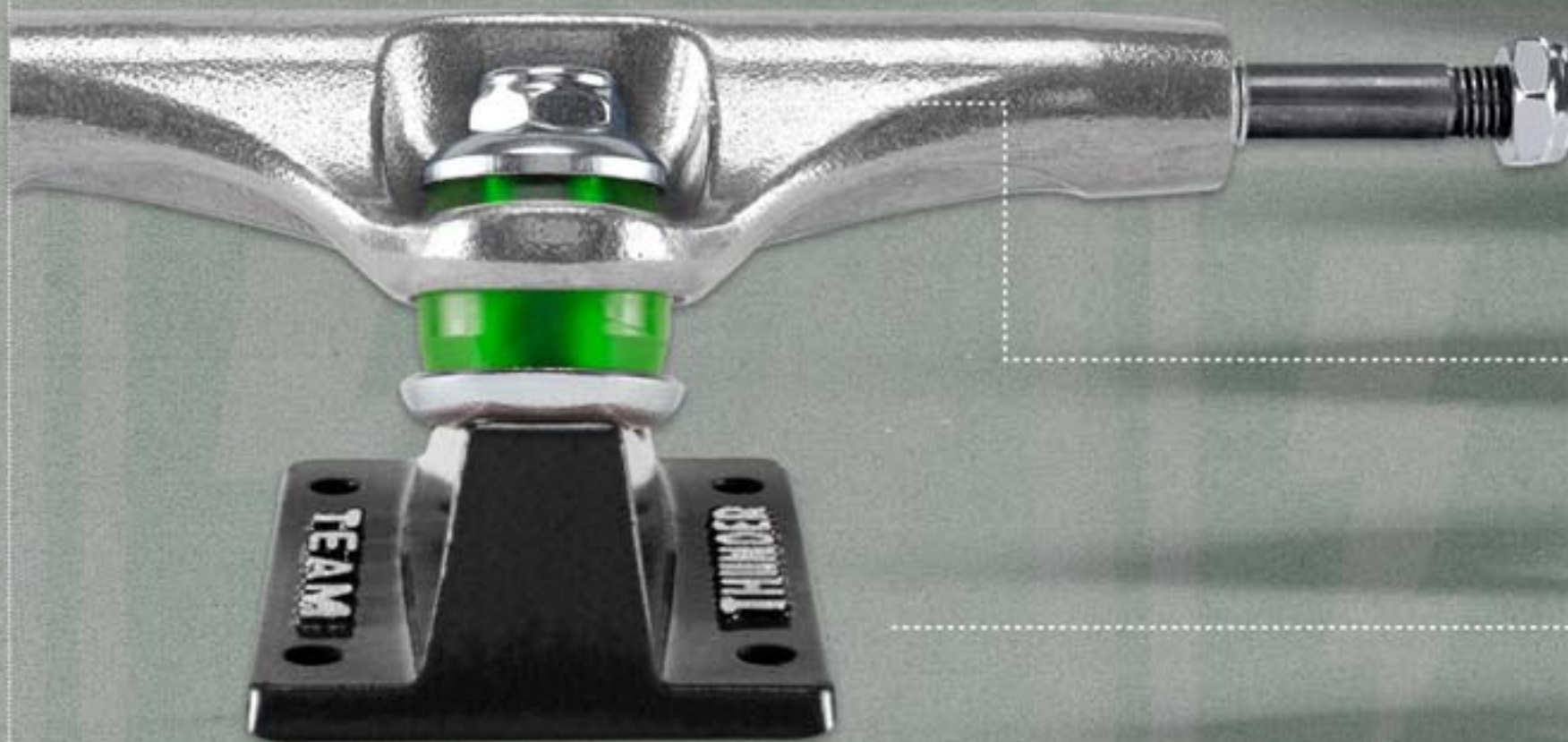
**SPRING'24**  
DROP 02



# UNA FARRAR

## 'CLOVER' - PRO EDITIONS

148: 8.25" AXLE / 149: 8.5" AXLE



**SOLID**  
AXLE



**SOLID**  
KINGPIN



**TEAM EDITION**  
BASEPLATE



UNA  
FARRAR

- POLISHED HANGERS  
W/ GLOSS BLACK  
TEAM BASEPLATES
- LIGHTWEIGHT &  
ULTRA RESPONSIVE
- CLEAR GREEN 90DU  
THUNDER BUSHINGS



MILES SILVAS



NOLLIE BS FLIP



# MILES SILVAS

## 'MASKED' - TEAM HOLLOWS

148: 8.25" AXLE / 149: 8.5" AXLE



**HOLLOW**  
AXLE



**HOLLOW**  
KINGPIN



**TEAM EDITION**  
BASEPLATE



- FLAT BLACK HANGERS WITH GOLDEN VEIN 1MM TALLER TEAM BASEPLATE
- EXTRA-STRONG REINFORCED HOLLOW AXLES
- PREMIUM GRADE HOLLOW KINGPINS
- BLACK 90DU THUNDER BUSHINGS



# OG GRENADE

## HOLLOW LIGHTS

147: 8.0" AXLE / 148: 8.25" AXLE / 149: 8.5" AXLE



**HOLLOW**  
AXLE

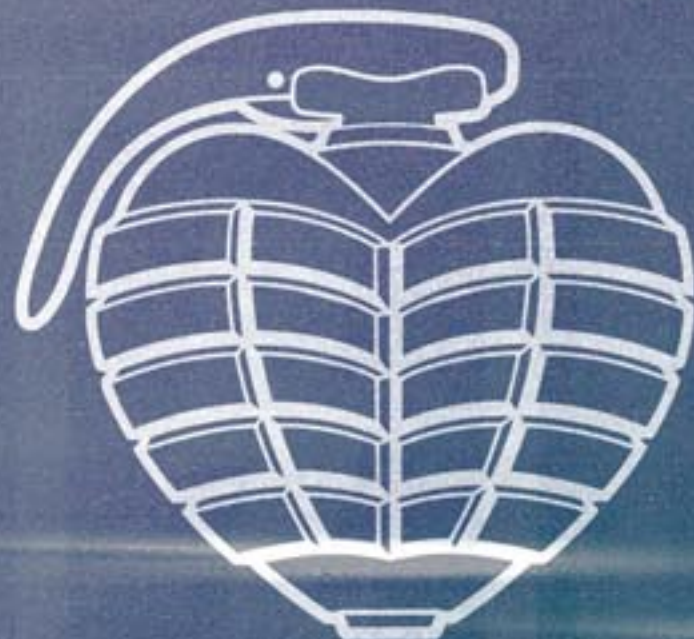


**HOLLOW**  
KINGPIN



**FORGED LIGHT**  
BASEPLATE

FRONT



BACK

 **THUNDER**

- MATTE GREY HANGERS WITH CUSTOM POLISHED FORGED BASEPLATES
- EXTRA-STRONG REINFORCED HOLLOW AXLES
- PREMIUM GRADE HOLLOW KINGPINS
- CLEAR DARK BLUE 90DU THUNDER BUSHINGS



# TEAM EDITIONS

143 / 145 / 147 / 148 / 149 / 151 / 161



**SOLID**  
AXLE



**SOLID**  
KINGPIN



**TEAM EDITION**  
BASEPLATE

THE ORIGINAL TEAM DESIGN • LIGHTWEIGHT & ULTRA RESPONSIVE • UNMATCHED BOARD CONTROL & STRENGTH

# LIGHTS

147 / 148 / 149



**SOLID**  
AXLE



**HOLLOW**  
KINGPIN



**FORGED LIGHT**  
BASEPLATE

LIGHTWEIGHT BY DESIGN • PREMIUM GRADE HOLLOW KINGPINS • CUSTOM FORGED ALUMINUM BASEPLATES

# HOLLOW LIGHTS

147 / 148 / 149



**HOLLOW**  
AXLE



**HOLLOW**  
KINGPIN



**FORGED LIGHT**  
BASEPLATE

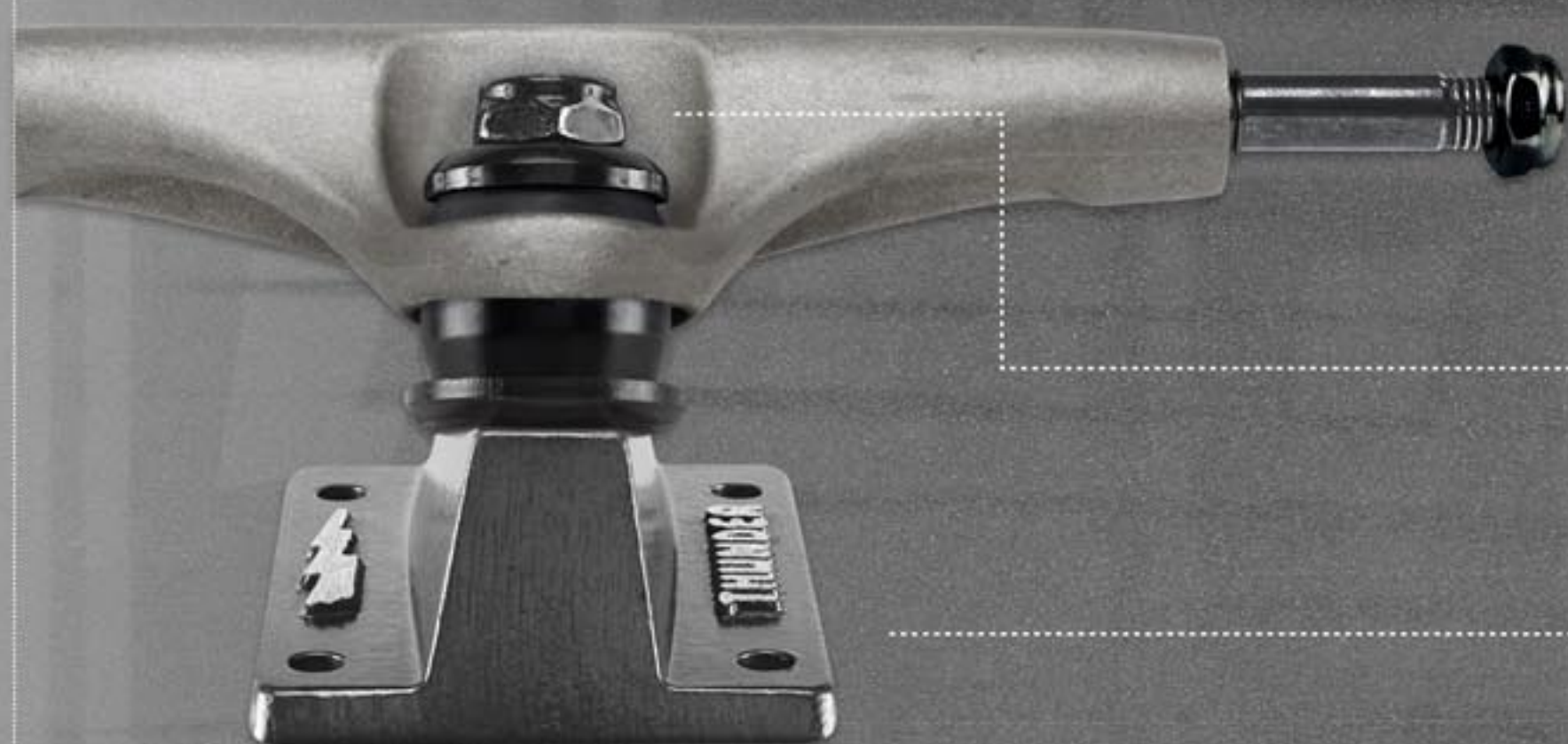
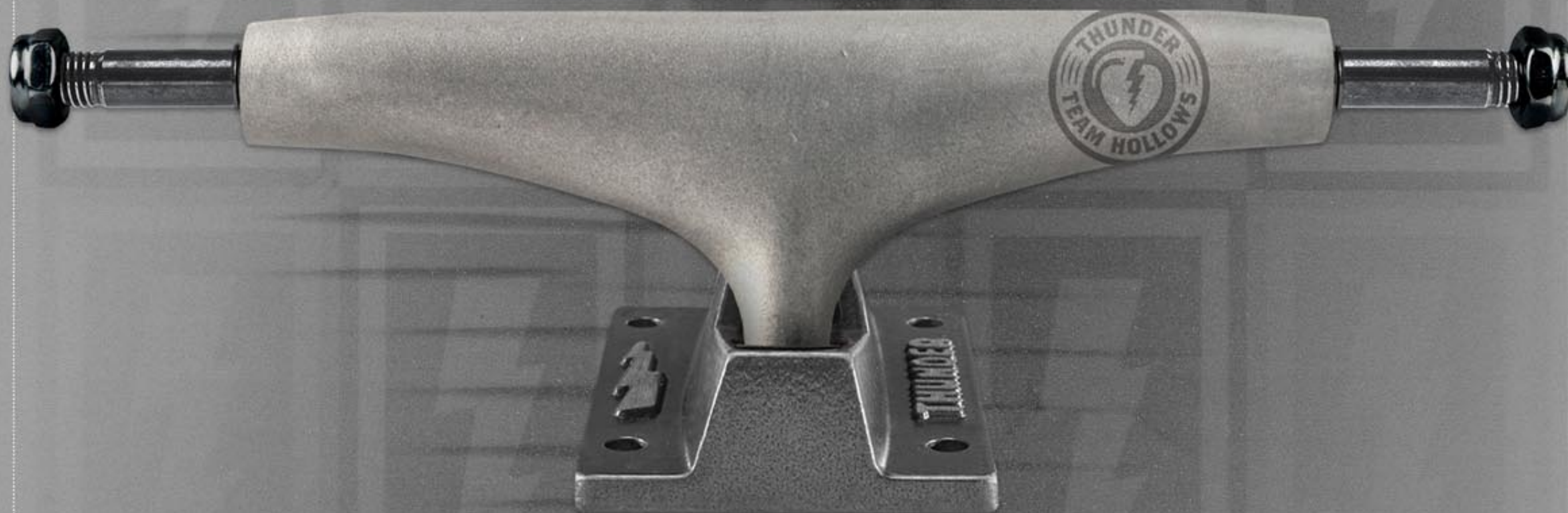
LESS WEIGHT - MORE STRENGTH • EXTRA STRONG HOLLOW AXLES • PREMIUM GRADE HOLLOW KINGPINS • CUSTOM FORGED ALUMINUM BASEPLATES



# RAW

## STAPLE - TEAM HOLLOW

148: 8.25" AXLE / 151: 8.75" AXLE



**HOLLOW**  
AXLE



**HOLLOW**  
KINGPIN



**TEAM EDITION**  
BASEPLATE



- RAW HANGERS WITH DARK GREY 1MM TALLER TEAM BASEPLATE
- EXTRA-STRONG REINFORCED HOLLOW AXLES
- PREMIUM GRADE HOLLOW KINGPINS
- BLACK 90DU THUNDER BUSHINGS



# OG GRENADE LOCK-UP S/S TEE

**SIZES AVAILABLE:**

SM-MD-L-XL

**MATERIAL:**

6.0 OZ, 100% COTTON

**COLOR/PRINT:**

METRO BLUE W/  
GREY & TEAL PRINT



# BOXED BOLT S/S TEE

**SIZES AVAILABLE:**

SM-MD-L-XL-2XL

**MATERIAL:**

6.0 OZ, 100% COTTON

**COLOR/PRINT:**

TURF GREEN W/  
BLACK, WHITE &  
YELLOW PRINT



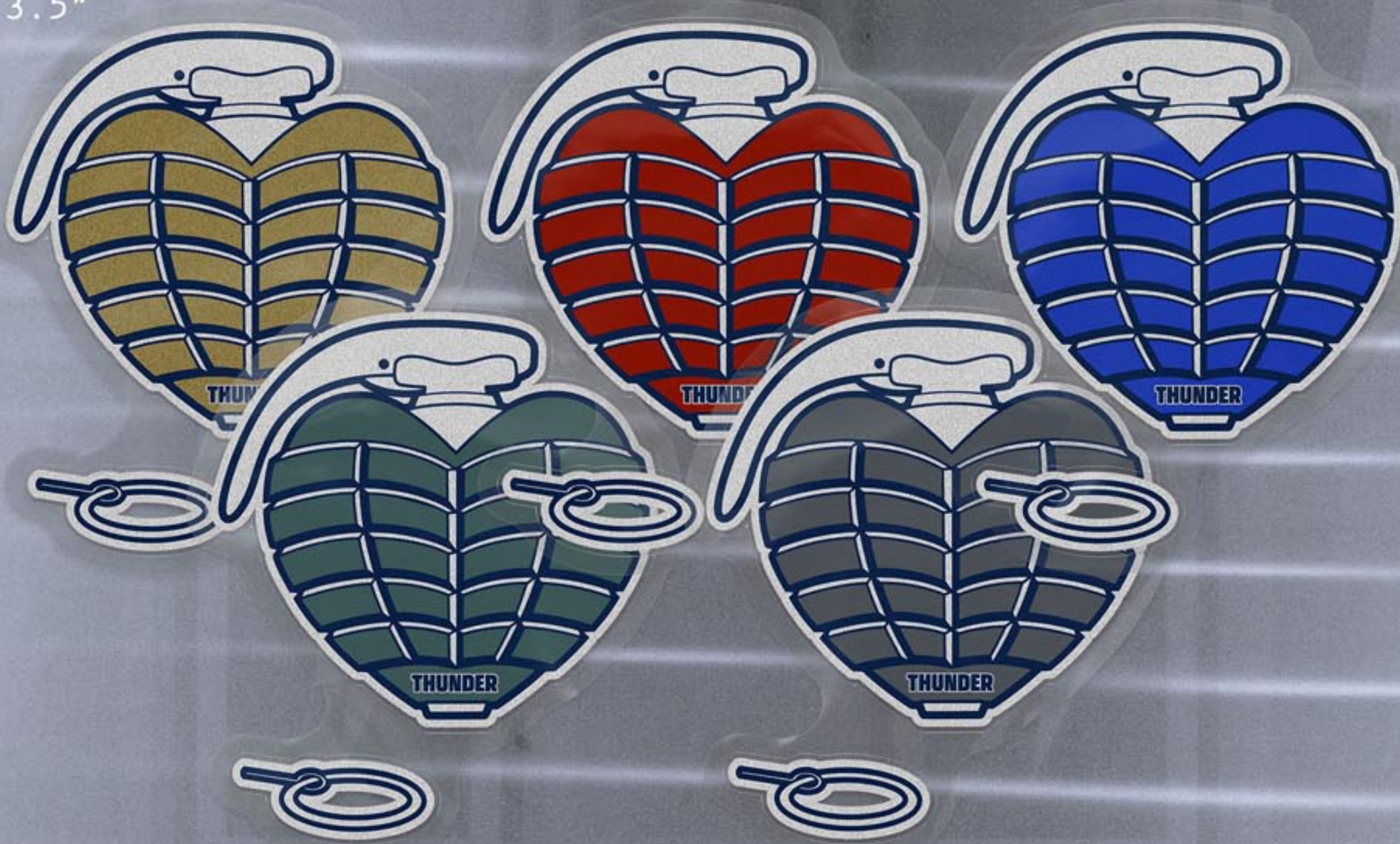


# OG GRENADE ASST. STICKER PACK

\*REMOVABLE KISS-CUT GRENADE & PIN

SIZE:

MEDIUM - 3.5"



## GRENADE DIE-CUT STAPLE - ASST. STICKERS

SIZES AVAILABLE:

SM-MD-L









# JOHN SHANAHAN STREETS

## PRO V-LIGHTS



- POLISHED HANGER
- BLACK GLOSS BASEPLATE
- HOLLOW KINGPIN
- 5.6, 5.8 W/ WHITE 90DU BUSHINGS





**VENTURE TRUCKS X STAR TEAM**



# STAR TEAM

## TEAM EDITIONS

WE TEAMED UP WITH STAR TEAM, FOUNDED BY VENTURE RIDER KYOTA UMEKI. STAR TEAM HAS DEEP ROOTS IN THE EAST VILLAGE AND IS KNOWN FOR PUMPING OUT UNIQUE SOFT GOODS & ACCESSORIES AND ALWAYS SUPPORTING THE NEW YORK SKATE SCENE.



- POLISHED HANGER
- POLISHED BASEPLATE
- 5.6, 5.8 W/ CLEAR 90DU BUSHINGS



# PAID

## V-HOLLOWS



- POLISHED HANGER
- FORGED POLISHED BASEPLATE
- HOLLOW AXLE & KINGPIN
- GOLD HARDWARE
- 5.2 HI, 5.6, W/ CLEAR RED 90DU BUSHINGS



# POLISHED

## **POLISHED TEAM EDITIONS**

**5.0 LO, 5.0 HI, 5.2 HI, 5.6, 5.8, 6.1**

- POLISHED HANGER
- POLISHED BASEPLATE
- LO W/ CLEAR RED BUSHINGS
- HI W/ CLEAR PURPLE BUSHINGS



## **POLISHED V-LIGHTS**

**5.2 HI, 5.6**

- POLISHED HANGER
- FORGED BASEPLATE & HOLLOW KINGPIN
- HI W/ CLEAR PURPLE BUSHINGS



## **POLISHED V-HOLLOW**

**5.2 LO, 5.2 HI, 5.6**

- POLISHED HANGER
- FORGED BASEPLATE
- HOLLOW KINGPIN & AXLE
- LO W/ CLEAR RED BUSHINGS
- HI W/ CLEAR PURPLE BUSHINGS





# APPAREL



**STAR TEAM TEE**

BLACK - SM-XL



**STAR TEAM MONEY BAG**

BLACK W/ WHITE



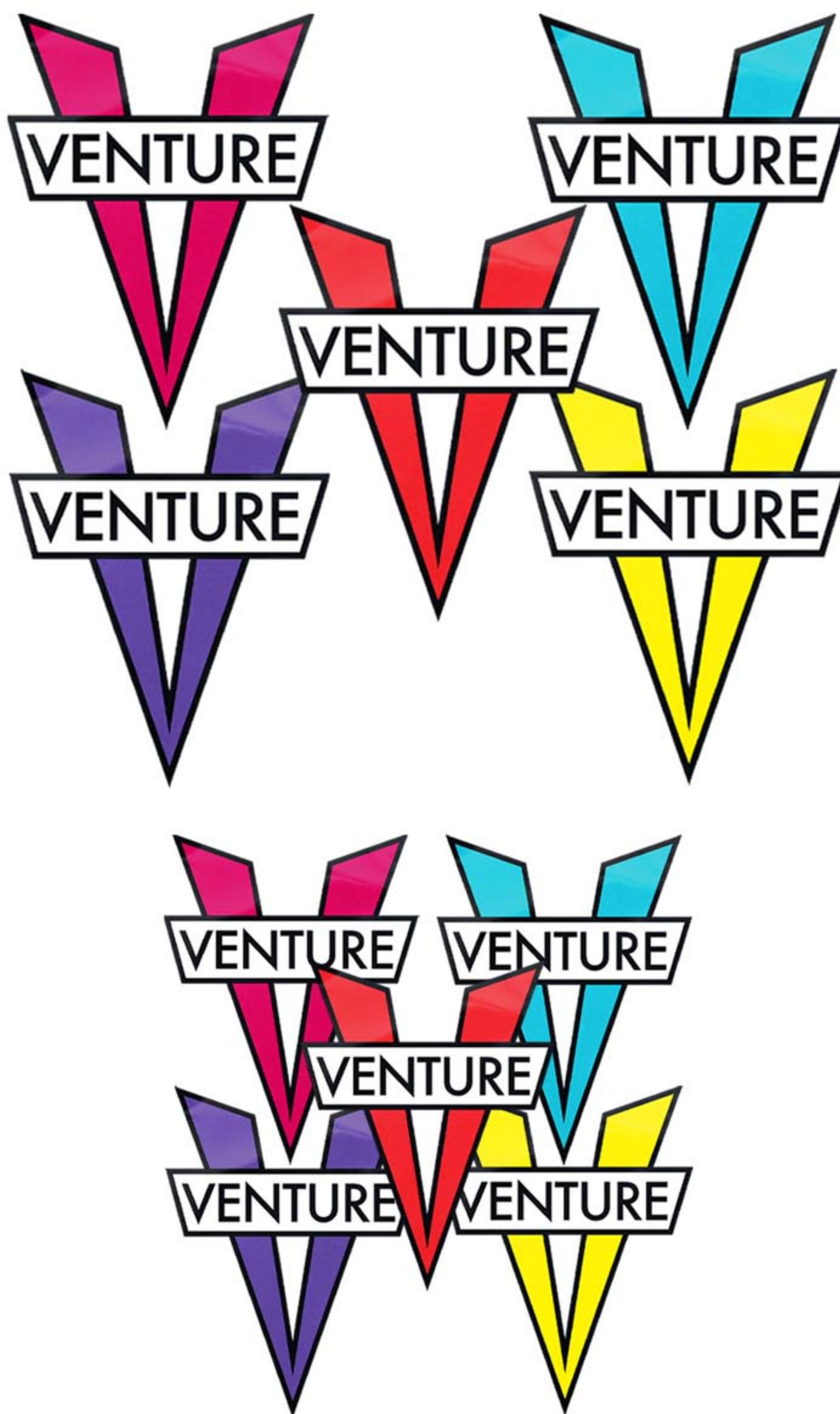
# APPAREL



**PAID TEE**  
BLACK - SM-XXL



# STICKERS



**V DIE CUT**  
SM, MED (ASSORTED)



# THANK YOU

Got any questions, need any help,  
or have any events coming up,  
please hit us:

[sales@dlxsf.com](mailto:sales@dlxsf.com)

## DELUXE

